

## LV951D-3

Sink material	Stainless steel
Type	Welded sink
No. of bowls	1
Drainer	Right
EAN code	8017709139063



## Aesthetics



<b>Aesthetic</b>	Universal	<b>Logo</b>	Embossed
<b>Serie</b>	Stilla	<b>Alternative colours available</b>	No
<b>Colour</b>	Stainless steel	<b>Half bowl cup drainer</b>	No
<b>Acabamento</b>	Escovado	<b>Tap hole / precut tap hole</b>	1 Tap hole
<b>Building in type</b>	Flush fitted, Flat		

	Bowl type LH	Bowl thickness LH (mm)	Bowl dimensions LH, WxDxA (mm)	LH Bowl depth (mm)	Radius corner left bowl	Overflow LH bowl	Strainer position LH bowl	Strainer dimension LH bowl
LH Bowl	Traditional	0.7	450 x 400 x 210	210	80	Yes, traditional	Side bowl	3.5"

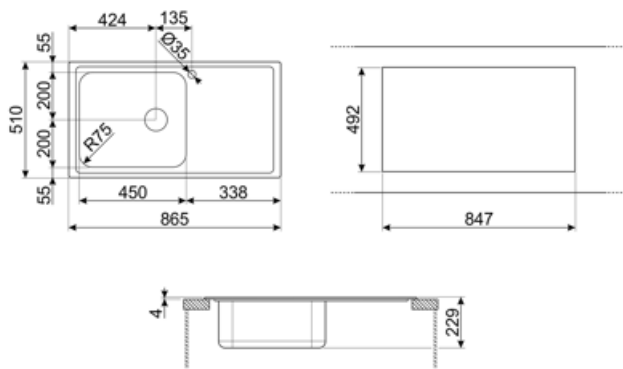
## Technical Features



<b>Frame thickness</b>	1 mm	<b>Tap hole</b>	1
<b>Frame depth (mm)</b>	15	<b>Popup command</b>	No
<b>Dimensions of the product (mm)</b>	225x865x511 mm	<b>Drainer inclination</b>	2 °
<b>Cutout dimension topmount (mm)</b>	847 X 492 mm	<b>Gasket type</b>	Sealing paste
<b>Cutout radius</b>	15 mm	<b>Pre-assembled gasket</b>	No
<b>Height from kitchen top</b>	6 mm	<b>No. of clips</b>	10
<b>Base unit size</b>	60 cm	<b>Type of clips</b>	Standard

## Accessories Included

<b>Accessories for installation</b>	Strainer, Siphon with dishwasher outlet connection, Fixing clips, Gasket	<b>Basket</b>	No
		<b>Wooden board</b>	No
		<b>White board</b>	No
<b>Colander</b>	No		
<b>Glass board</b>	No		



---

## Compatible Accessories

---



### KITFD050

Eliminação de resíduos 0,5 CV Motor:  
1/2 cv Serve para todas as pias com  
saída de resíduos de 3 1/2"



### KITFD100

Eliminação de resíduos 1 CV Motor: 1 cv  
Serve para todas as pias com saída de  
resíduos de 3 1/2"



### KITFD075

Eliminação de resíduos 0,75 CV Motor:  
3/4 CV Adapta-se a todas as pias  
com saída de resíduos de 3 1/2"



### RND1V

Kit de resíduos Rondò 1 pia com  
transbordamento padrão







### STABMIX

estabilizador para misturadores

---

## Symbols glossary

---

- |                                                                                  |                                                        |                                                                                   |                                                                                                                |
|----------------------------------------------------------------------------------|--------------------------------------------------------|-----------------------------------------------------------------------------------|----------------------------------------------------------------------------------------------------------------|
|  | Largura do armário necessária para a instalação da pia |  | Profundidade da pia - dependendo do modelo, a profundidade pode ser de 13 a 24,5                               |
|  | Plana Instalação de produtos com aresta plana.         |  | Instalação embutida: Modelos de pias/fogões que são integrados nivelados com a mesa de uma unidade de cozinha. |

---

## Benefit (TT)

---

### **One bowl**

A single bowl for greater adaptability, capacity and space optimisation

### **Drainer**

The drawer allows dishes, cutlery and kitchen utensils to be placed directly on the sink after washing: excess water can drain into the sink, allowing for natural drying

### **Tap hole**

Possibility of having the tap hole for direct installation of the tap on the sink, for a larger and neater surface area