

# LVFABSV

|                   |               |
|-------------------|---------------|
| Product Family    | Dishwashers   |
| Width             | 60 cm         |
| Commercial height | 85 cm         |
| Installation      | Free-standing |
| N° baskets        | 2             |
| EAN code          | 8017709232085 |



## Programmes



|                      |                       |                    |     |
|----------------------|-----------------------|--------------------|-----|
| No. of programmes    | 5+5 quick programmes  | Auto sensor 45-65  | Yes |
| Washing temperatures | 38, 45, 50, 65, 70 °C | Ultraclean         | Yes |
| Soak                 | Yes                   | ECO Quick          | Yes |
| Rapid 27'            | Yes                   | Delicate and Quick | Yes |
| Glass                | Yes                   | Normal Quick       | Yes |
| ECO                  | Yes                   | Strong and fast    | Yes |

## Options



|   |                                       |                               |     |
|---|---------------------------------------|-------------------------------|-----|
| Energy saving option<br>EnerSave                      | Yes                                   | Options for tabs<br>FlexiTabs | Yes |
| Delay timer option                                    | Up to 9 hours, with<br>automatic soak | Quick Time option             | Yes |
| 1/2 load FlexiZone<br>option (varied<br>distribution) | Yes                                   |                               |     |

## Baskets



|                             |                                 |  |                       |
|-----------------------------|---------------------------------|--|-----------------------|
| Basket colour               | Stainless Steel                 | Largest loadable dish in<br>upper basket | 23,5 cm               |
| Basket components<br>colour | Matching the external<br>colour | Lower Basket                             | With 4 foldable racks |

|  |  |  |                           |
|--|--|--|---------------------------|
| <b>Handle</b>                                | In plastic with stainless steel insert on upper and lower basket | <b>Lower basket with anti-drip inserts</b>   | Yes                       |
| <b>Upper Basket</b>                          | With central fixed racks   | <b>Largest loadable dish in lower basket</b> | 30,0 cm                   |
| <b>Height adjustment of the upper basket</b> | On three levels  | <b>Cutlery basket</b>                        | 13 place settings sliding |
| <b>Upper basket with EasyGlide System</b>    | Yes  |  |                           |

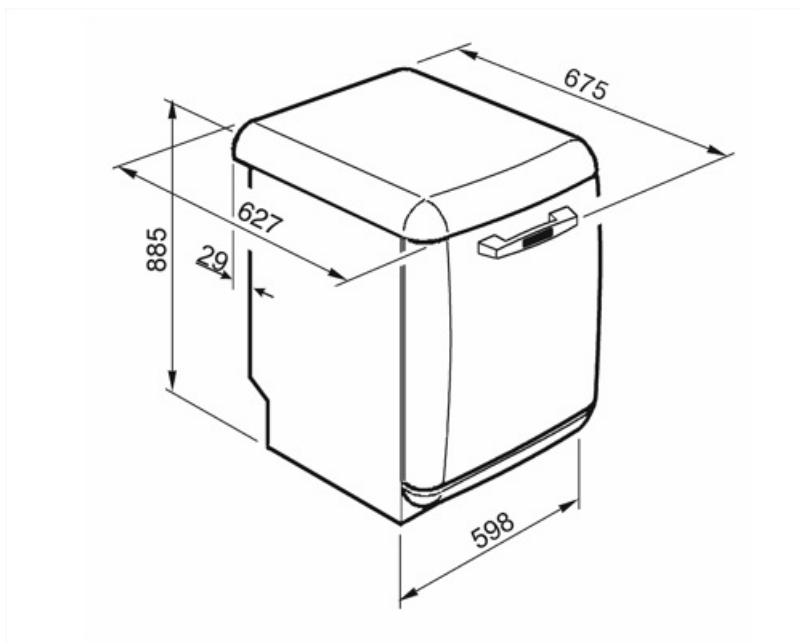
## Technical Features



|                               |                         |  |   |
|-------------------------------|-------------------------|--|---|
| <b>Width (mm)</b>             | 598 mm                  | <b>Turbidity sensor Aquatest</b>               | Yes   |
| <b>Depth (mm)</b>             | 627 mm                  | <b>Flood protection system</b>                 | Total Acquastop   |
| <b>Display type</b>           | 1 digit                 | <b>Water supply</b>                            | Single; cold/hot water max. 60°C - energysave with hot water up to 35%                        |
| <b>Product Height (mm)</b>    | 885 mm                  | <b>Max water hardness</b>                      | 100°FH;58°dH  |
| <b>Controls</b>               | Electronic              | <b>Drying system</b>                           | Natural condenser drying, with EnerSave automatic door opening system at the end of the cycle |
| <b>Display</b>                | Delayed start           | <b>Tank material</b>                           | Stainless steel   |
| <b>Programme graphics</b>     | Symbols                 | <b>Filter</b>                                  | Stainless steel   |
| <b>On/off indicator</b>       | Yes                     | <b>Concealed heating element</b>               | Yes   |
| <b>Salt light indicator</b>   | Light                   | <b>Hinges</b>                                  | Self balancing with fixed hinges  |
| <b>Rinse aid indicator</b>    | Light                   | <b>Adjustable feet</b>                         | Just for levelling  |
| <b>End of cycle indicator</b> | Acoustic signal         | <b>Back cover</b>                              | Yes   |
| <b>Washing system</b>         | Planetarium             | <b>Depth of dishwasher with open door (mm)</b> | 1171  |
| <b>Third spray arm</b>        | Single                  | <b>Top cover</b>                               | In plastic  |
| <b>Water softener</b>         | With electronic setting |  |   |

## Electrical Connection

|                        |              |                                  |              |
|------------------------|--------------|----------------------------------|--------------|
| <b>Plug</b>            | (F;E) Schuko | <b>Frequency (Hz)</b>            | 50 Hz        |
| <b>Connected power</b> | 1800 W       | <b>Type of connection</b>        | Single-phase |
| <b>Current</b>         | 10 A         | <b>Power supply cable length</b> | 140 cm       |
| <b>Voltage</b>         | 220-240 V    |                                  |              |



---

## Compatible Accessories

---



### KITGH

Kit glass holder. It has to be fitted on the first basket but only if there are foldable racks



### KITINC

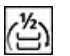


a steel bar fitted on the top will block the dishwasher at the top.



### KITPLV2

Kit extension for dishwasher and washing machine: length mt. 2

## Symbols glossary

|  |   |   |   |
|--|---|---|---|
|    | <p>Aquatest measures the clarity of the water during an auto program, and automatically ensures the minimum consumption of water and energy.</p>                    |    | <p>Anti-drip: Some models of dishwashers are equipped with special polymer nozzles anti-drip, that improve the process of drying.</p>   |
|    | <p>A+++: Appliances with this symbol can reduce energy consumption by a further 30% from the standard A energy rating.</p>  |    | <p>Delay Timer: The delay timer can postpone the start of the program by up to 24 hours.</p>  |
|    | <p>EasyGlide: Convenient EasyGlide system for easy unloading of the appliance that allows reaching maximum flexibility of load of the machine.</p>                  |    | <p>Flexitabs: Flexitabs adjusts the wash cycle to give the best possible results regardless of the type of detergent used.</p>  |
|    | <p>FlexiZone: The ½ load flexizone allows you to wash a reduced load saving energy, water and time and there are no restrictions on where the items are placed.</p> |    | <p>Noise Level: Excellent insulation and special devices keep noise to a minimum.</p>   |
|    | <p>PLANETARIUM_WASHING_SYSTEM_72dpi</p>   |    | <p>Auto 45°- 65°: The auto programme regulates the length of a cycle depending on the need for a pre-wash and the number of rinses required.</p>  |
|  | <p>Delicate Quick: Program Delicate Quick is suitable for quick washing of delicate dishes.</p>   |  | <p>Eco: Eco, this economic wash programme uses a low amount of water and energy in order to provide the most environmentally friendly cleaning option.</p>  |
|  | <p>Eco: Eco, this economic wash programme uses a low amount of water and energy in order to provide the most environmentally friendly cleaning option.</p>          |  | <p>Normal Quick: Program Normal Quick is suitable for quick washing of mixed dishes, for everyday use.</p>  |
|  | <p>Soak programme: The soak programme provides a rinse to prevent dirt from drying.</p>   |  | <p>Strong&amp;Fast: This special programme takes less than 1 hour to eliminate the most stubborn dirt and dried on residues.</p>  |
|  | <p>The symbols show the number of plate settings of the dishwasher.</p>   |  | <p>Total Acquastop: In addition to the partial Acquastop protection present in all Smeg dishwashers, some models have an electronic device fitted to the water intake hose, which monitors water levels in the machine, detects leaks in the hose and switches off the water supply immediately when necessary.</p> |
|  | <p>System WaterSave ensures the best washing results with minimal water consumption depending on the model of dishwasher.</p>                                       |   |   |

---

## Benefit

---

### **Planetarium Wash System**

Full and deep wash coverage thanks to the advanced movement of the spray arm, an innovation patented by Smeg

Smeg's patented Planetarium Wash System guarantees impeccable cleaning. With a simultaneous double movement of the sprayer and 65 rotations per minute, it reaches every nook and cranny for extraordinary results. Dishes, glasses and utensils will be perfectly clean in no time. An intelligent system where efficiency and style meet, delivering brilliant results effortlessly.