

LX116D-2

| | |
|---------------|-----------------|
| Sink material | Stainless steel |
| Type | Monoblock sink |
| No. of bowls | 2 |
| Drainer | Right |
| EAN code | 8017709132309 |



Aesthetics



| | | | |
|-------------------|-----------------|--------------------------------------|-------------------|
| Aesthetic | Universal | Building in type | Ultra-low profile |
| Serie | Omni | Logo | Engraved |
| Colour | Stainless steel | Alternative colours available | No |
| Acabamento | Escovado | Half bowl cup drainer | No |

| | Bowl type RH | Bowl thickness (mm) | Bowl dimensions, WxDxH (mm) | Bowl depth (mm) | Radius corner right bowl (mm) | Overflow | Strainer position | Strainer dimension |
|---------|--------------|---------------------|-----------------------------|-----------------|-------------------------------|------------------|-------------------|--------------------|
| RH Bowl | Traditional | 0.6 | 370 x 370 x 150 | 160 | 80 | Yes, traditional | Centre of bowl | 3.5" |
| LH Bowl | Traditional | 0.6 | 370 x 370 x 150 | 160 | 80 | No | Centre of bowl | 3.5" |

Technical Features

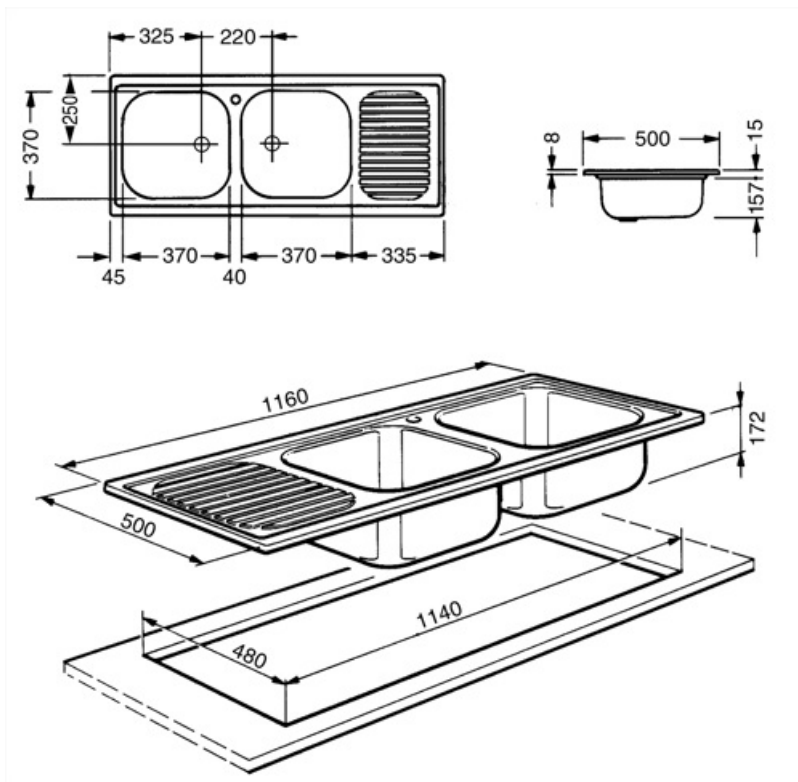


| | | | |
|---------------------------------------|-----------------|-----------------------------|---------------|
| Frame thickness | 0,6 mm | Popup command | No |
| Frame depth (mm) | 15 | Dividing wall width | 40 mm |
| Dimensions of the product (mm) | 220x1170x510 mm | Drainer inclination | 1 ° |
| Cutout dimension topmount (mm) | 1140 x 480 mm | Gasket type | Sealing paste |
| Height from kitchen top | 8 mm | Pre-assembled gasket | No |
| | | No. of clips | 8 |
| | | Type of clips | Standard |

Base unit size 90 cm
 Tap hole 1

Accessories Included

| | | | |
|------------------------------|--|---------------------|----|
| Accessories for installation | Strainer, Siphon with dishwasher outlet connection, Fixing clips, Gasket | Basket | No |
| | | Wooden board | No |
| | | White board | No |
| Colander | No | | |
| Glass board | No | | |



Compatible Accessories



KITFD050

Eliminação de resíduos 0,5 CV Motor:
1/2 cv Serve para todas as pias com
saída de resíduos de 3 1/2"



KITFD100

Eliminação de resíduos 1 CV Motor: 1 cv
Serve para todas as pias com saída de
resíduos de 3 1/2"



KITFD075

Eliminação de resíduos 0,75 CV Motor:
3/4 CV Adapta-se a todas as pias
com saída de resíduos de 3 1/2"



RND2V

Kit de resíduos Rondò 2 pias com 1
transbordamento padrão



STABMIX

estabilizador para misturadores

Symbols glossary



Largura do armário necessária para a instalação da pia



Profundidade da pia - dependendo do modelo, a profundidade pode ser de 13 a 24,5



Perfil ultra baixo: Instalação de produto com borda plana - altura de 1 mm.

Benefit (TT)

Two bowls

Two bowls for greater versatility and dual functionality

Drainer

The drawer allows dishes, cutlery and kitchen utensils to be placed directly on the sink after washing: excess water can drain into the sink, allowing for natural drying