

# LYG800

Sink material	Stainless steel
Type	Monoblock bowl
No. of bowls	1
EAN code	8017709273071



## Aesthetics



<b>Aesthetic</b>	Universale	<b>Building in type</b>	Standard
<b>Series</b>	Omni	<b>Logo</b>	Embossed
<b>Colour</b>	Stainless steel	<b>Tap hole / precut tap hole</b>	1 Tap hole
<b>Finishing</b>	Brushed		

	Bowl type	Bowl dimensions, WxDxH (mm)	Bowl depth (mm)	Radius corner bowl	Overflow	Strainer position	Strainer dimension
Bowl	Minimum radius	720*414*191	191	60	Yes, traditional	Wall position	3.5"

## Technical Features

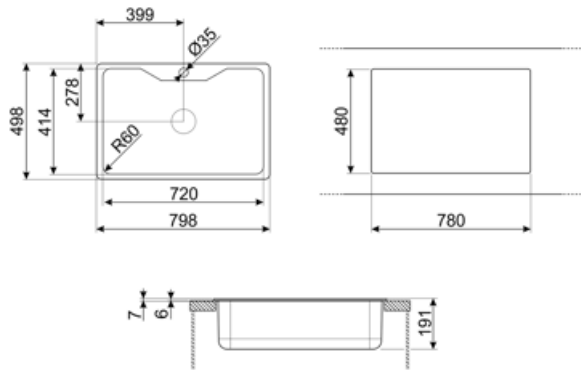


<b>Dimensions of the product (mm)</b>	191x798x498 mm	<b>Tap hole diameter</b>	35 mm
<b>Cutout dimension topmount (mm)</b>	780*480 R36 mm	<b>Gasket type</b>	Sealing paste
<b>Height from kitchen top</b>	8 mm	<b>No. of clips</b>	10
<b>Base unit size</b>	90 cm	<b>Type of clips</b>	Standard
<b>Tap hole</b>	1		

## Accessories included

Accessories for  
installation

Strainer, Savespace siphon  
with dishwasher outlet  
connection, Fixing clips,  
Gasket



---

## Compatible Accessories

---



**3712**

Siphon single bowl sinks (dishwasher connection included)



**KITFD075**

Waste disposal 0,75 HP, Motor: 1/2 horsepower, Fits all sinks with 3 1/2" waste outlet



**RND1V**

Rondò waste kit 1 bowl with standard overflow



**KITFD050**

Waste disposal 0,5 HP, Motor: 1/2 horsepower, Fits all sinks with 3 1/2" waste outlet



**KITFD100**

Waste disposal 1 HP, Motor: 1/2 horsepower, Fits all sinks with 3 1/2" waste outlet



**STABMIX**

Tap stabiliser

---

## Symbols glossary

---



Cupboard width required for sink installation



Sink depth - depending on the model, the depth can be from 13 to 24,5



Standard installation: Traditional installation in tabletop, suitable for any kitchen sets

---

## Benefit (TT)

---

### **One bowl**

A single bowl for greater adaptability, capacity and space optimisation

### **Tap hole**

Possibility of having the tap hole for direct installation of the tap on the sink, for a larger and neater surface area