

LYP102FR2

Sink material	Stainless steel
Sink type	Monoblock sink
No. of bowls	1 + 1/2
Drainer	Reversible
EAN code	8017709308193



Aesthetics



Aesthetics	Universal	Building in type	Ultra-low profile
Series	Omni	Logo	Silk screen
Colour	Stainless steel	Half bowl cup drainer	Yes
Finishing	Pre-polished	Tap hole / precut tap hole	2 Tapholes

	Bowl type	Bowl thickness (mm)	Bowl dimensions, WxDxH (mm)	Bowl depth (mm)	Radius corner right bowl (mm)	Overflow LH bowl	Strainer position	Strainer dimension
RH Bowl	Half bowl	0.5	170 x 330 x 93	93	85		Centre of bowl	3.5"
LH Bowl	Traditional	0.5	342 x 380 x 163	163	74	Yes, traditional	Side bowl	3.5"

Technical Features



Frame thickness	0.5 mm	Dividing wall width	40 mm
Frame depth (mm)	15	Drainer inclination	1 °
Dimensions of the product WxDxH (mm)	163x1000x500 mm	Gasket type	Sealing paste
Cutout dimension (mm)	975 x 475 mm	Pre-assembled gasket	Yes
Cutout radius	10 mm	No. of clips	8
Height from kitchen top	5 mm	Type of clips	Standard

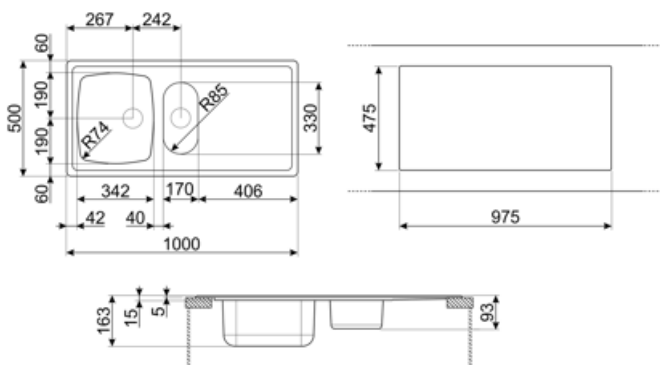
Base unit size

60 cm






Accessories Included

Accessories for installation

Strainer, Siphon save space with dishwasher outlet connection, Fixing clips, Pre-assembled gasket, Tap reinforcement, Blanking cap



Symbols glossary

- | | | | |
|--|---|---|---|
|  | Cupboard width required for sink installation |  | Sink depth |
|  | Sink depth |  | Ultra-low profile: Installation of product with flat edge - height of 1 mm. |
|  | Thanks to the double tap hole, most of our sinks are easily reversible, giving you the flexibility to make any type of kitchen composition. | | |