

LYP102FR2

Sink material	Stainless steel
Type	Monoblock sink
No. of bowls	1 + 1/2
Drainer	Reversible
EAN code	8017709308193



Aesthetics



Aesthetic	Universale	Building in type	Ultra-low profile
Colour	Stainless steel	Logo	Silk screen
Finishing	Pre-polished	Half bowl cup drainer	Yes
Series	Omni	Tap hole / precut tap hole	2 Tapholes

	Bowl type RH	Bowl thickness (mm)	Bowl dimensions, WxDxH (mm)	Bowl depth (mm)	Radius corner right bowl (mm)	Overflow LH bowl	Strainer position	Strainer dimension
RH Bowl	Half bowl	0.5	170 x 330 x 93	93	85		Centre of bowl	3.5"
LH Bowl	Traditional	0.5	342 x 380 x 163	163	74	Yes, traditional	Side bowl	3.5"

Technical Features



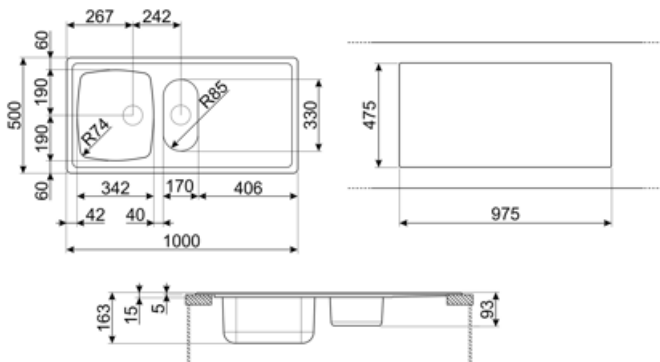
Frame thickness	0,5 mm	Dividing wall width	40 mm
Frame depth (mm)	15	Drainer inclination	1 °
Dimensions of the product (mm)	163x1000x500 mm	Gasket type	Sealing paste
Cutout dimension topmount (mm)	975 x 475 mm	Pre-assembled gasket	Yes
		No. of clips	8
		Type of clips	Standard

Undermount cutout radius	10 mm
Height from kitchen top	5 mm
Base unit size	60 cm






Accessories included

Accessories for installation

Strainer, Siphon with dishwasher outlet connection, Fixing clips, Pre-assembled gasket, Tap reinforcement, Blanking cap



Symbols glossary

- | | | | |
|--|---|---|---|
|  | Cupboard width required for sink installation. |  | Sink depth |
|  | Sink depth |  | Ultra-low profile: Installation of product with flat edge - height of 1 mm. |
|  | Thanks to the double tap hole, most of our sinks are easily reversible, giving you the flexibility to make any type of kitchen composition. | | |