

LYP116D

Sink material	Stainless steel
Type	Monoblock sink
No. of bowls	2
Drainer	Right
EAN code	8017709251581



Aesthetics



Aesthetic	Universale	Building in type	Standard
Series	Omni	Logo	Embossed
Colour	Stainless steel	Tap hole / precut tap hole	1 Tap hole
Finishing	Pre-polished		

	Bowl type RH	Bowl thickness (mm)	Bowl dimensions, WxDxH (mm)	Bowl depth (mm)	Radius corner right bowl (mm)	Overflow	Strainer position	Strainer dimension
RH Bowl	Traditional	0.6	330 * 370 * 150	150	90	Yes, traditional	Side bowl	3.5"
LH Bowl	Traditional	0.6	330 x 370 x 150	150	90		Side bowl	3.5"

Technical Features



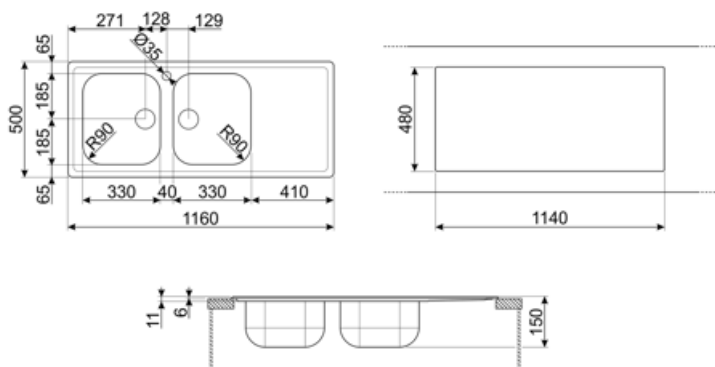
Frame thickness	0,6 mm	Tap hole	1
Frame depth (mm)	8	Tap hole diameter	35 mm
Dimensions of the product (mm)	150x1160x500 mm	Dividing wall width	40 mm
Cutout dimension topmount (mm)	1140 x 480 mm	Drainer inclination	1 °
Undermount cutout radius	10 mm	Gasket type	Sealing paste
		No. of clips	8
		Type of clips	Standard

Height from kitchen top 8 mm
Base unit size 80 cm

Accessories Included

Accessories for installation

Strainer, Siphon with dishwasher outlet connection, Fixing clips, Gasket



Compatible Accessories



3713

Siphon double bowls sinks (dishwasher connection included)



KITFD075

Waste disposal 0,75 HP, Motor: 1/2 horsepower, Fits all sinks with 3 1/2" waste outlet



RND2V

2 Bowls standard Rondò waste kit with rectangular overflow



KITFD050

Waste disposal 0,5 HP, Motor: 1/2 horsepower, Fits all sinks with 3 1/2" waste outlet



KITFD100


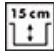

Waste disposal 1 HP, Motor: 1/2 horsepower, Fits all sinks with 3 1/2" waste outlet



STABMIX

Tap stabiliser

Symbols glossary

- | | | | |
|--|--|---|---|
|  | Cupboard width required for sink installation |  | Sink depth - depending on the model, the depth can be from 13 to 24,5 |
|  | Standard installation: Traditional installation in tabletop, suitable for any kitchen sets | | |

Benefit (TT)

Two bowls

Two bowls for greater versatility and dual functionality

Drainer

The drawer allows dishes, cutlery and kitchen utensils to be placed directly on the sink after washing: excess water can drain into the sink, allowing for natural drying

Tap hole

Possibility of having the tap hole for direct installation of the tap on the sink, for a larger and neater surface area