

# LYP116R

Sink material	Stainless steel
Sink type	Monoblock sink
No. of bowls	2
Drainer	Reversible
EAN code	8017709258955



## Aesthetics



Aesthetics	Universal	Building in type	Standard
Series	Omni	Logo	Embossed
Colour	Stainless steel	Tap hole / precut tap hole	No Taphole
Finishing	Pre-polished		

	Bowl type	Bowl thickness (mm)	Bowl dimensions, WxDxH (mm)	Bowl depth (mm)	Radius corner right bowl (mm)	Overflow	Strainer position	Strainer dimension
RH Bowl	Traditional	0.6	330 * 370 * 150	150	90	Yes, traditional	Side bowl	3.5"
LH Bowl	Traditional	0.6	330 x 370 x 150	150	90		Side bowl	3.5"

## Technical Features

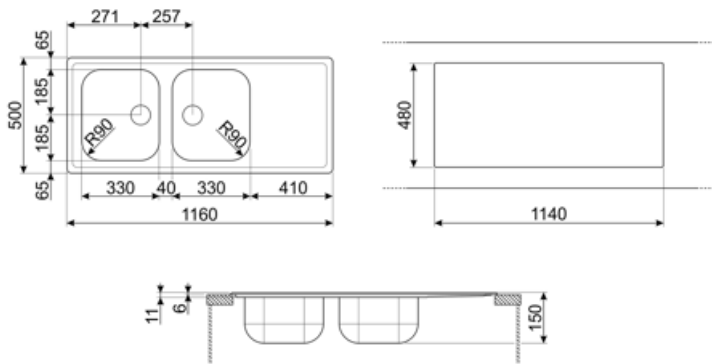


Frame thickness	0.6 mm	Tap hole diameter	35 mm
Frame depth (mm)	8	Dividing wall width	40 mm
Dimensions of the product WxDxH (mm)	150x1160x500 mm	Drainer inclination	1 °
Cutout dimension (mm)	1140 x 480 mm	Gasket type	Sealing paste
Cutout radius	10 mm	No. of clips	8
Height from kitchen top	8 mm	Type of clips	Standard
Base unit size	80 cm		

## Accessories Included

Accessories for installation

Strainer, Siphon save space with dishwasher outlet connection, Fixing clips, Gasket



---

## Not included accessories

---



**3713**

Siphon double bowls sinks (dishwasher connection included)



**KITFD075**

Waste disposal 0,75 HP Motor: 3/4 horsepower Fits all sinks with 3 1/2" waste outlet



**RND2V**

Rondò waste kit 2 bowls with 1 standard overflow



**KITFD050**

Waste disposal 0,5 HP Motor: 1/2 horsepower Fits all sinks with 3 1/2" waste outlet



**KITFD100**

Waste disposal 1 HP Motor: 1 horsepower Fits all sinks with 3 1/2" waste outlet

---

## Symbols glossary

---



Cupboard width required for sink installation



Sink depth - depending on the model, the depth can be from 13 to 24,5



Standard installation: Traditional installation in tabletop, suitable for any kitchen sets



Thanks to the double tap hole, most of our sinks are easily reversible, giving you the flexibility to make any type of kitchen composition.

---

## Benefit

---

### **Two bowls**

Designed for versatility, the two-bowl configuration offers enhanced functionality, making kitchen tasks more efficient.

### **Drainer**

The drainer provides a convenient space for dishes, cutlery, and kitchen utensils to dry naturally by allowing excess water to flow directly into the sink.