

LYP116R

Sink material	Stainless steel
Type	Monoblock sink
No. of bowls	2
Drainer	Reversible
EAN code	8017709258955



Aesthetics



Aesthetic	Universale	Building in type	Standard
Series	Omni	Logo	Embossed
Colour	Stainless steel	Tap hole / precut tap hole	No Taphole
Finishing	Pre-polished		

	Bowl type RH	Bowl thickness (mm)	Bowl dimensions, WxDxH (mm)	Bowl depth (mm)	Radius corner right bowl (mm)	Overflow	Strainer position	Strainer dimension
RH Bowl	Traditional	0.6	330 * 370 * 150	150	90	Yes, traditional	Side bowl	3.5"
LH Bowl	Traditional	0.6	330 x 370 x 150	150	90		Side bowl	3.5"

Technical Features

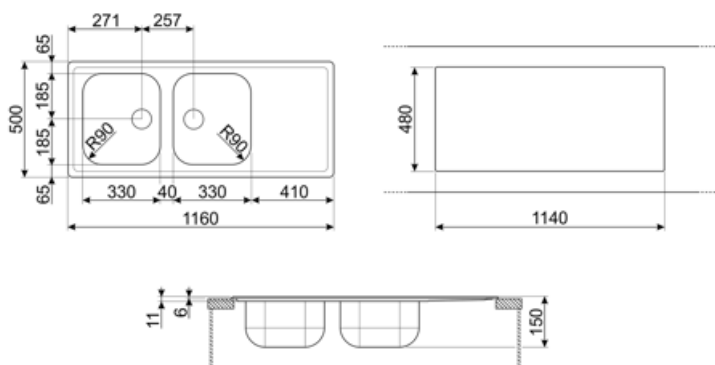


Frame thickness	0,6 mm	Tap hole diameter	35 mm
Frame depth (mm)	8	Dividing wall width	40 mm
Dimensions of the product (mm)	150x1160x500 mm	Drainer inclination	1 °
Cutout dimension topmount (mm)	1140 x 480 mm	Gasket type	Sealing paste
Undermount cutout radius	10 mm	No. of clips	8
		Type of clips	Standard

Height from kitchen top 8 mm
Base unit size 80 cm

Accessories Included

Accessories for installation Strainer, Siphon with dishwasher outlet connection, Fixing clips, Gasket



Not included accessories



3713

Siphon double bowls sinks (dishwasher connection included)



KITFD075

Waste disposal 0,75 HP, Motor: 1/2 horsepower, Fits all sinks with 3 1/2" waste outlet



RND2V

2 Bowls standard Rondò waste kit with rectangular overflow



KITFD050





Waste disposal 0,5 HP, Motor: 1/2 horsepower, Fits all sinks with 3 1/2" waste outlet



KITFD100

Waste disposal 1 HP, Motor: 1/2 horsepower, Fits all sinks with 3 1/2" waste outlet

Symbols glossary (TT)

- | | | | |
|--|--|---|---|
|  | Cupboard width required for sink installation |  | Sink depth - depending on the model, the depth can be from 13 to 24,5 |
|  | Standard installation: Traditional installation in tabletop, suitable for any kitchen sets |  | Thanks to the double tap hole, most of our sinks are easily reversible, giving you the flexibility to make any type of kitchen composition. |

Benefit (TT)

Two bowls

Two bowls for greater versatility and dual functionality

Drainer

The drawer allows dishes, cutlery and kitchen utensils to be placed directly on the sink after washing: excess water can drain into the sink, allowing for natural drying