

LYP401

Sink material	Stainless steel
Type	Monoblock bowl
No. of bowls	1
EAN code	8017709284824



Aesthetics



Aesthetic	Universale	Building in type	Ultra-low profile
Colour	Stainless steel	Logo	Silk screen
Finishing	Pre-polished	Tap hole / precut tap hole	1 Tap hole
Series	Omni		

	Bowl type	Bowl dimensions, WxDxH (mm)	Bowl depth (mm)	Radius corner bowl	Overflow	Strainer position	Strainer dimension
Bowl	Minimum radius	385 x 343 x 161	165	80	Yes, traditional	Centre of bowl	3.5"

Technical Features

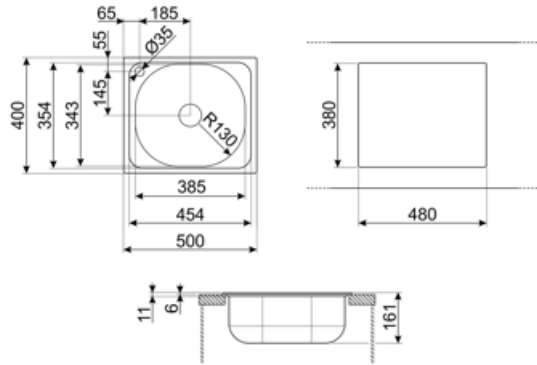


Dimensions of the product (mm)	161x400x500 mm	Tap hole	1
Cutout dimension topmount (mm)	480*380 mm	Tap hole diameter	35 mm
Undermount cutout radius	10 mm	Gasket type	Sealing paste
Height from kitchen top	6 mm	No. of clips	6
Base unit size	45 cm	Type of clips	Standard

Accessories included

Accessories for
installation

Strainer, Siphon with
dishwasher outlet
connection, Fixing clips,
Gasket



Compatible Accessories



3712

Siphon single bowl sinks (dishwasher connection included)



KITFD075

Waste disposal 0,75 HP, Motor: 1/2 horsepower, Fits all sinks with 3 1/2" waste outlet



RND1V

Rondò waste kit 1 bowl with standard overflow



KITFD050

Waste disposal 0,5 HP, Motor: 1/2 horsepower, Fits all sinks with 3 1/2" waste outlet



KITFD100

Waste disposal 1 HP, Motor: 1/2 horsepower, Fits all sinks with 3 1/2" waste outlet



STABMIX

Tap stabiliser

Symbols glossary



Cupboard width required for sink installation.



Ultra-low profile: Installation of product with flat edge - height of 1 mm.

Benefit (TT)

One bowl

A single bowl for greater adaptability, capacity and space optimisation

Tap hole

Possibility of having the tap hole for direct installation of the tap on the sink, for a larger and neater surface area