

LYP401FD

| | |
|---------------|-----------------|
| Sink material | Stainless steel |
| Type | Monoblock bowl |
| No. of bowls | 1 |
| EAN code | 8017709287139 |



Aesthetics



| | | | |
|-----------|-----------------|----------------------------|-------------------|
| Serie | Omni | Building in type | Ultra-low profile |
| Aesthetic | Universale | Logo | Silk screen |
| Color | Stainless steel | Tap hole / precut tap hole | 1 Tap hole |
| Finishing | Pre-polished | | |

| | Bowl type | Bowl dimensions, WxDxH (mm) | Bowl depth (mm) | Radius corner bowl | Overflow | Strainer position | Strainer dimension |
|------|----------------|-----------------------------|-----------------|--------------------|------------------|-------------------|--------------------|
| Bowl | Minimum radius | 385 x 343 x 161 | 165 | 80 | Yes, traditional | Centre of bowl | 3.5" |

Technical Features

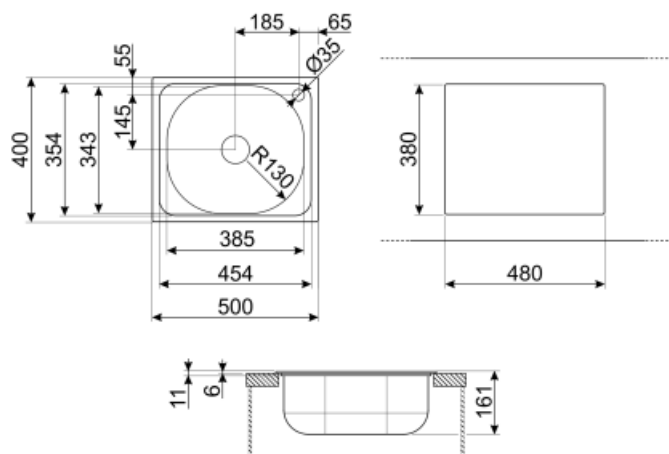


| | | | |
|--------------------------------|----------------|-------------------|---------------|
| Dimensions of the product (mm) | 161x400x500 mm | Tap hole | 1 |
| Cutout dimension topmount (mm) | 480*380 mm | Tap hole diameter | 35 mm |
| Undermount cutout radius | 10 mm | Gasket type | Sealing paste |
| Height from kitchen top | 6 mm | No. of clips | 6 |
| Base unit size | 45 cm | Type of clips | Standard |

Accessories Included

Accessories for
installation

Strainer, Siphon with
dishwasher outlet
connection, Fixing clips,
Gasket



Not included accessories



RND1V

Rondò waste kit 1 bowl with standard overflow



KITFD100

Waste disposal 1 HP, Motor: 1/2 horsepower, Fits all sinks with 3 1/2" waste outlet



STABMIX

Tap stabiliser



KITFD050UK

Waste disposal 0,5 HP, Motor: 1/2 horsepower, Fits all sinks with 3 1/2" waste outlet, UK



KITFD050

Waste disposal 0,5 HP, Motor: 1/2 horsepower, Fits all sinks with 3 1/2" waste outlet



3712

Siphon single bowl sinks (dishwasher connection included)



KITFD075

Waste disposal 0,75 HP, Motor: 1/2 horsepower, Fits all sinks with 3 1/2" waste outlet

Symbols glossary (TT)



Cupboard width required for sink installation



Ultra-low profile: Installation of product with flat edge - height of 1 mm.