

LYP501

Sink material	Stainless steel
Type	Monoblock bowl
No. of bowls	1
EAN code	8017709284817



Aesthetics



Serie	Omni	Building in type	Ultra-low profile
Aesthetic	Universale	Logo	Silk screen
Colour	Stainless steel	Tap hole / precut tap hole	1 Tap hole
Finishing	Pre-polished		

	Bowl type	Bowl dimensions, WxDxH (mm)	Bowl depth (mm)	Radius corner bowl	Overflow	Strainer position	Strainer dimension
Bowl	Minimum radius	410 x 360 x 165	165	80	Yes, traditional	Wall position	3.5"

Technical Features

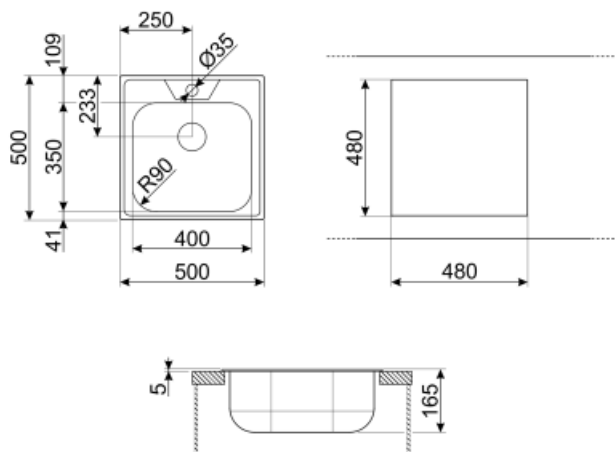


Dimensions of the product (mm)	160x500x500 mm	Tap hole	1
Cutout dimension topmount (mm)	480 x 480 mm	Tap hole diameter	35 mm
Undermount cutout radius	10 mm	Gasket type	Sealing paste
Height from kitchen top	6 mm	No. of clips	6
Base unit size	45 cm	Type of clips	Standard

Accessories Included

Accessories for
installation

Strainer, Siphon with
dishwasher outlet
connection, Fixing clips,
Gasket



Not included accessories



RND1V

Rondò waste kit 1 bowl with standard overflow



KITFD100

Waste disposal 1 HP, Motor: 1/2 horsepower, Fits all sinks with 3 1/2" waste outlet



STABMIX

Tap stabiliser



KITFD050UK

Waste disposal 0,5 HP, Motor: 1/2 horsepower, Fits all sinks with 3 1/2" waste outlet, UK



KITFD050

Waste disposal 0,5 HP, Motor: 1/2 horsepower, Fits all sinks with 3 1/2" waste outlet



3712

Siphon single bowl sinks (dishwasher connection included)



KITFD075

Waste disposal 0,75 HP, Motor: 1/2 horsepower, Fits all sinks with 3 1/2" waste outlet

Symbols glossary (TT)



Cupboard width required for sink installation



Ultra-low profile: Installation of product with flat edge - height of 1 mm.