

LYP791D

Sink material	Stainless steel
Type	Monoblock sink
No. of bowls	1
Drainer	Right
EAN code	8017709273569



Aesthetics



Aesthetic	Universale	Building in type	Standard
Series	Omni	Logo	Embossed
Colour	Stainless steel	Tap hole / precut tap hole	1 Tap hole
Finishing	Pre-polished		

	Bowl type LH	Bowl thickness LH (mm)	Bowl dimensions LH, WxDxA (mm)	LH Bowl depth (mm)	Radius corner left bowl	Overflow LH bowl	Strainer position LH bowl	Strainer dimension LH bowl
LH Bowl	Traditional	0.6	370 x 370 x 150	150	80	Yes, traditional	Side bowl	3.5"

Technical Features

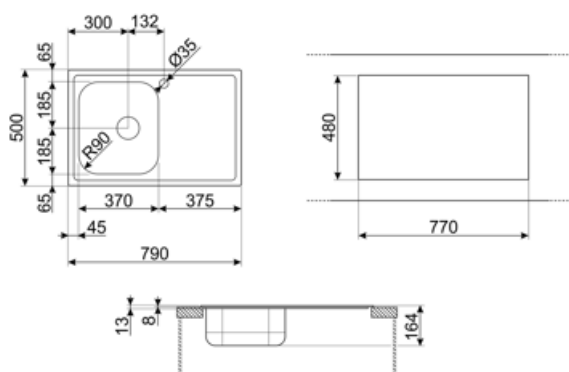


Frame thickness	0,6 mm	Tap hole	1
Frame depth (mm)	8	Tap hole diameter	35 mm
Dimensions of the product (mm)	150x790x500 mm	Drainer inclination	1 °
Cutout dimension topmount (mm)	770 x 480 mm	Gasket type	Sealing paste
Height from kitchen top	8 mm	No. of clips	6
Base unit size	45 cm	Type of clips	Standard

Accessories Included

Accessories for
installation

Strainer, Siphon with
dishwasher outlet
connection, Fixing clips,
Gasket



Compatible Accessories



3712

Siphon single bowl sinks (dishwasher connection included)



KITFD075

Waste disposal 0,75 HP, Motor: 1/2 horsepower, Fits all sinks with 3 1/2" waste outlet



RND1V

Rondò waste kit 1 bowl with standard overflow



KITFD050

Waste disposal 0,5 HP, Motor: 1/2 horsepower, Fits all sinks with 3 1/2" waste outlet



KITFD100


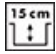

Waste disposal 1 HP, Motor: 1/2 horsepower, Fits all sinks with 3 1/2" waste outlet



STABMIX

Tap stabiliser

Symbols glossary

- | | | | |
|--|--|---|---|
|  | Cupboard width required for sink installation |  | Sink depth - depending on the model, the depth can be from 13 to 24,5 |
|  | Standard installation: Traditional installation in tabletop, suitable for any kitchen sets | | |

Benefit (TT)

One bowl

A single bowl for greater adaptability, capacity and space optimisation

Drainer

The drawer allows dishes, cutlery and kitchen utensils to be placed directly on the sink after washing: excess water can drain into the sink, allowing for natural drying

Tap hole

Possibility of having the tap hole for direct installation of the tap on the sink, for a larger and neater surface area