

# LYP792

**Sink material** Stainless steel  
**Type** Monoblock sink  
**No. of bowls** 2  
**EAN code** 8017709251604



## Aesthetics



**Aesthetic** Universale  
**Colour** Stainless steel  
**Finishing** Pre-polished  
**Series** Omni  
**Building in type** Standard  
**Logo** Embossed  
**Tap hole / precut tap hole** 1 Tap hole

	Bowl type RH	Bowl thickness (mm)	Bowl dimensions, WxDxH (mm)	Bowl depth (mm)	Radius corner right bowl (mm)	Overflow	Strainer position	Strainer dimension
RH Bowl	Traditional	0.6	330 * 370 * 160	160	90	Yes, traditional	Side bowl	3.5"
LH Bowl	Traditional	0.6	330 * 370 * 160	160	90		Side bowl	3.5"

## Technical Features



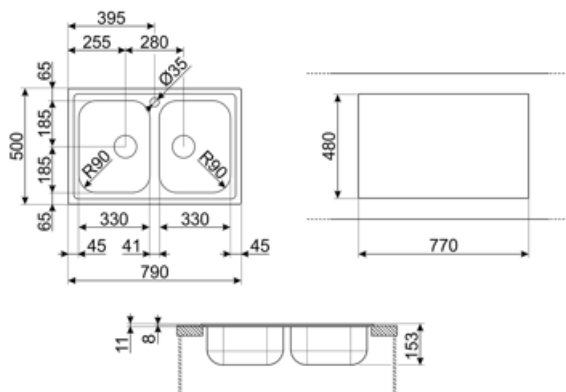
**Frame thickness** 0.6 mm  
**Frame depth (mm)** 8  
**Dimensions of the product (mm)** 160x790x500 mm  
**Cutout dimension topmount (mm)** 770 x 480 mm  
**Undermount cutout radius** 10 mm  
**Tap hole** 1  
**Tap hole diameter** 35 mm  
**Dividing wall width** 40 mm  
**Gasket type** Sealing paste  
**No. of clips** 8  
**Type of clips** Standard

Height from kitchen top 8 mm  
Base unit size 80 cm

## Accessories included

Accessories for installation

Strainer, Siphon with dishwasher outlet connection, Fixing clips, Gasket



---

## Compatible Accessories

---



**3713**

Siphon double bowls sinks (dishwasher connection included)



**KITFD075**

Waste disposal 0,75 HP, Motor: 1/2 horsepower, Fits all sinks with 3 1/2" waste outlet



**RND2V**

2 Bowls standard Rondò waste kit with rectangular overflow



**KITFD050**

Waste disposal 0,5 HP, Motor: 1/2 horsepower, Fits all sinks with 3 1/2" waste outlet



**KITFD100**

Waste disposal 1 HP, Motor: 1/2 horsepower, Fits all sinks with 3 1/2" waste outlet




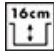

**STABMIX**

Tap stabiliser

---

## Symbols glossary

---

- |  |   |   |  |
|--|---|---|--|
|  | Cupboard width required for sink installation.  |  | Sink depth - depending on the model, the depth can be from 13 to 24,5. |
|  | Standard installation: Traditional installation in tabletop, suitable for any kitchen sets. |   |  |