

# LYP861D

Sink material	Stainless steel
Type	Monoblock sink
No. of bowls	1
Drainer	Right
EAN code	8017709251628



## Aesthetics



Aesthetic	Universale	Building in type	Standard
Colour	Stainless steel	Logo	Embossed
Finishing	Pre-polished	Tap hole / precut tap hole	1 Tap hole
Series	Omni		

	Bowl type LH	Bowl thickness LH (mm)	Bowl dimensions LH, WxDxA (mm)	LH Bowl depth (mm)	Radius corner left bowl	Overflow LH bowl	Strainer position LH bowl	Strainer dimension LH bowl
LH Bowl	Traditional	0.6	330 * 370 * 154	154	90	Yes, traditional	Side bowl	3.5"

## Technical Features

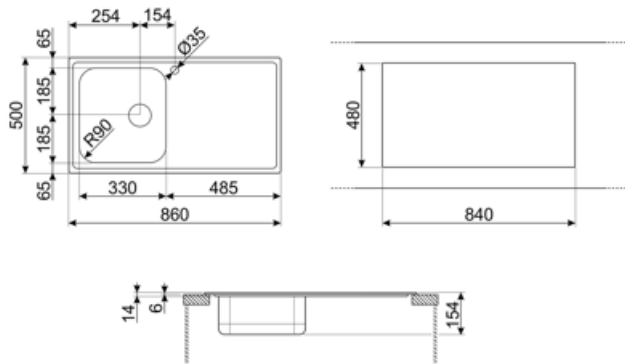


Frame thickness	0,6 mm	Tap hole	1
Frame depth (mm)	8	Tap hole diameter	35 mm
Dimensions of the product (mm)	154x860x500 mm	Dividing wall width	40 mm
Cutout dimension topmount (mm)	840 x 480 mm	Drainer inclination	2 °
Undermount cutout radius	10 mm	Gasket type	Sealing paste
Height from kitchen top	8 mm	No. of clips	8
Base unit size	45 cm	Type of clips	Standard

## Accessories included

Accessories for  
installation

Strainer, Siphon with  
dishwasher outlet  
connection, Fixing clips,  
Gasket



---

## Compatible Accessories

---



**3712**

Siphon single bowl sinks (dishwasher connection included)



**KITFD075**

Waste disposal 0,75 HP, Motor: 1/2 horsepower, Fits all sinks with 3 1/2" waste outlet



**RND1V**

Rondò waste kit 1 bowl with standard overflow



**KITFD050**

Waste disposal 0,5 HP, Motor: 1/2 horsepower, Fits all sinks with 3 1/2" waste outlet



**KITFD100**

Waste disposal 1 HP, Motor: 1/2 horsepower, Fits all sinks with 3 1/2" waste outlet



**STABMIX**

Tap stabiliser

---

## Symbols glossary

---



Cupboard width required for sink installation.



Sink depth - depending on the model, the depth can be from 13 to 24,5.



Standard installation: Traditional installation in tabletop, suitable for any kitchen sets.