

# LYP861FR2

Sink material	Stainless steel
Sink type	Monoblock sink
No. of bowls	1
Drainer	Reversible
EAN code	8017709305857



## Aesthetics



Aesthetics	Universal	Building in type	Standard
Series	Omni	Logo	Embossed
Colour	Stainless steel	Tap hole / precut tap hole	2 Tapholes
Finishing	Pre-polished		

	Bowl type LH	Bowl thickness LH (mm)	Bowl dimensions LH, WxDxA (mm)	LH Bowl depth (mm)	Radius corner left bowl	Overflow LH bowl	Strainer position LH bowl	Strainer dimension LH bowl
LH Bowl	Traditional	0.6	330 * 370 * 154	154	90	Yes, traditional	Side bowl	3.5"

## Technical Features

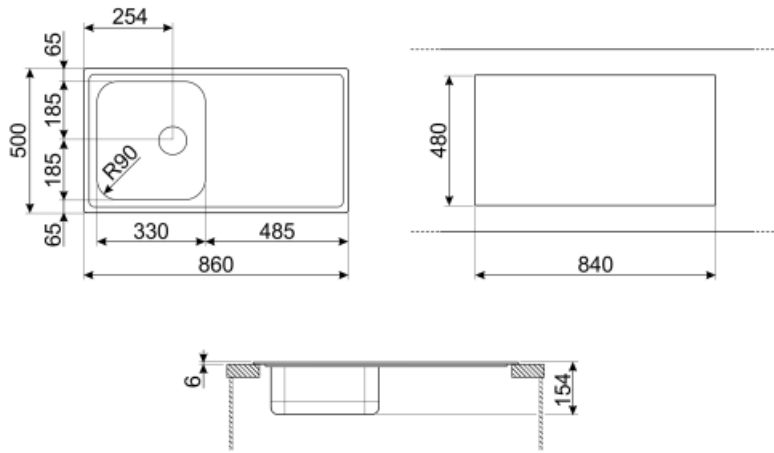


Frame thickness	0,6 mm	Tap hole diameter	35 mm
Frame depth (mm)	8	Dividing wall width	40 mm
Dimensions of the product WxDxH (mm)	154x860x500 mm	Drainer inclination	2 °
Cutout dimension (mm)	840 x 480 mm	Gasket type	Sealing paste
Height from kitchen top	6 mm	No. of clips	8
Base unit size	45 cm	Type of clips	Standard
Tap hole	Yes		

## Accessories Included

Accessories for installation

Strainer, Siphon save space with dishwasher outlet connection, Fixing clips, Gasket, Blanking cap



---

## Not included accessories

---



### RND1V

Rondò waste kit 1 bowl with standard overflow



### KITFD100

Waste disposal 1 HP Motor: 1 horsepower Fits all sinks with 3 1/2" waste outlet



### 3712

Siphon single bowl sinks (dishwasher connection included)



### KITDS

Soap dispenser Round knob



### KITDSQ

Soap dispenser Square knob



### KITFD050

Waste disposal 0,5 HP Motor: 1/2 horsepower Fits all sinks with 3 1/2" waste outlet



### KITSLTRND1

Automatic pop up (round knob) 1 bowl file and standard overflow RND waste kit



### STABMIX

Tap brace



### KITSTR

Automatic pop up (round knob) 1 bowl rectangular flat overflow







### KITFD075

Waste disposal 0,75 HP Motor: 3/4 horsepower Fits all sinks with 3 1/2" waste outlet

---

## Symbols glossary

---

- |  |  |   |   |
|--|--|---|---|
|  | Cupboard width required for sink installation  |  | Sink depth - depending on the model, the depth can be from 13 to 24,5   |
|  | Standard installation: Traditional installation in tabletop, suitable for any kitchen sets |  | Thanks to the double tap hole, most of our sinks are easily reversible, giving you the flexibility to make any type of kitchen composition. |