

# LYP861FR2

Sink material	Stainless steel
Type	Monoblock sink
No. of bowls	1
Drainer	Reversible
EAN code	8017709305857



## Aesthetics



Aesthetic	Universale	Building in type	Standard
Colour	Stainless steel	Logo	Embossed
Finishing	Pre-polished	Tap hole / precut tap hole	2 Tapholes
Series	Omni		

	Bowl type LH	Bowl thickness LH (mm)	Bowl dimensions LH, WxDxA (mm)	LH Bowl depth (mm)	Radius corner left bowl	Overflow LH bowl	Strainer position LH bowl	Strainer dimension LH bowl
LH Bowl	Traditional	0.6	330 * 370 * 154	154	90	Yes, traditional	Side bowl	3.5"

## Technical Features

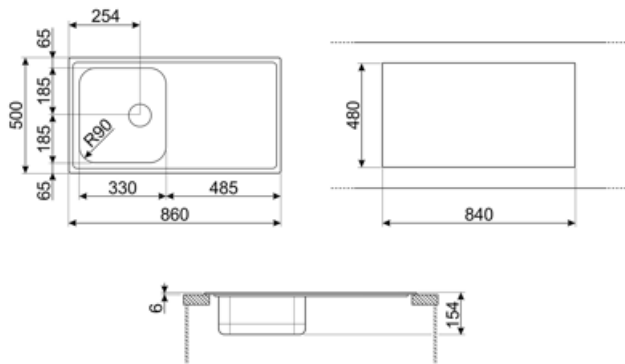


Frame thickness	0,6 mm	Tap hole diameter	35 mm
Frame depth (mm)	8	Dividing wall width	40 mm
Dimensions of the product (mm)	154x860x500 mm	Drainer inclination	2 °
Cutout dimension topmount (mm)	840 x 480 mm	Gasket type	Sealing paste
Height from kitchen top	6 mm	No. of clips	8
Base unit size	45 cm	Type of clips	Standard
Tap hole	2		

## Accessories included

### Accessories for installation

Strainer, Siphon with dishwasher outlet connection, Fixing clips, Gasket, Blanking cap



## Compatible Accessories



**3712**

Siphon single bowl sinks (dishwasher connection included)



**KITDS**

Soap dispenser chrome finishing with round knob



**KITDSQ**

Soap dispenser chrome finishing with square knob 40x40 mm



**KITFD050**

Waste disposal 0,5 HP, Motor: 1/2 horsepower, Fits all sinks with 3 1/2" waste outlet



**KITFD075**

Waste disposal 0,75 HP, Motor: 1/2 horsepower, Fits all sinks with 3 1/2" waste outlet



**KITFD100**

Waste disposal 1 HP, Motor: 1/2 horsepower, Fits all sinks with 3 1/2" waste outlet



**KITSLTRND1**

Bowl automatic pop up Rondò waste kit with rectangular overflow and round knob



**KITSTR**

1 Bowl automatic pop up waste kit with rectangular overflow and round knob



**RND1V**

Rondò waste kit 1 bowl with standard overflow



**STABMIX**

Tap stabiliser

---

## Symbols glossary

---



Cupboard width required for sink installation.



Sink depth - depending on the model, the depth can be from 13 to 24,5.



Standard installation: Traditional installation in tabletop, suitable for any kitchen sets.



Thanks to the double tap hole, most of our sinks are easily reversible, giving you the flexibility to make any type of kitchen composition.