

LYP861R

Sink material	Stainless steel
Type	Monoblock sink
No. of bowls	1
Drainer	Reversible
EAN code	8017709258962



Aesthetics



Aesthetic	Universale	Building in type	Standard
Series	Omni	Logo	Embossed
Colour	Stainless steel	Tap hole / precut tap hole	No Taphole
Finishing	Pre-polished		

	Bowl type LH	Bowl thickness LH (mm)	Bowl dimensions LH, WxDxA (mm)	Radius corner left bowl	Overflow LH bowl	Strainer position LH bowl	Strainer dimension LH bowl
LH Bowl	Traditional	0.6	330 * 370 * 154	90	Yes, traditional	Side bowl	3.5"

Technical Features

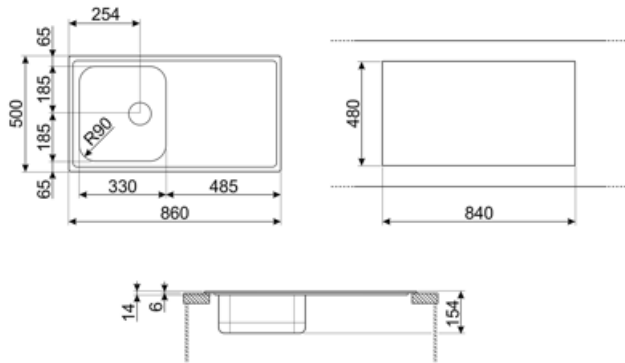


Frame thickness	0,6 mm	Tap hole diameter	35 mm
Frame depth (mm)	8	Dividing wall width	40 mm
Dimensions of the product (mm)	154x860x500 mm	Drainer inclination	2 °
Cutout dimension topmount (mm)	840 x 480 mm	Gasket type	Sealing paste
Height from kitchen top	6 mm	No. of clips	8
Base unit size	45 cm	Type of clips	Standard

Accessories Included

Accessories for
installation

Strainer, Siphon with
dishwasher outlet
connection, Fixing clips,
Gasket



Not included accessories



RND1V

Rondò waste kit 1 bowl with standard overflow



KITFD100

Waste disposal 1 HP, Motor: 1/2 horsepower, Fits all sinks with 3 1/2" waste outlet



STABMIX

Tap stabiliser



KITFD050

Waste disposal 0,5 HP, Motor: 1/2 horsepower, Fits all sinks with 3 1/2" waste outlet



3712




Siphon single bowl sinks (dishwasher connection included)



KITFD075

Waste disposal 0,75 HP, Motor: 1/2 horsepower, Fits all sinks with 3 1/2" waste outlet

Symbols glossary (TT)

- | | | | |
|--|---|---|--|
|  | Cupboard width required for sink installation |  | Standard installation: Traditional installation in tabletop, suitable for any kitchen sets |
|  | Thanks to the double tap hole, most of our sinks are easily reversible, giving you the flexibility to make any type of kitchen composition. | | |