

# LYP861S

Sink material	Stainless steel
Type	Monoblock sink
No. of bowls	1
Drainer	Left
EAN code	8017709251635



## Aesthetics



Aesthetic	Universale	Building in type	Standard
Series	Omni	Logo	Embossed
Colour	Stainless steel	Tap hole / precut tap hole	1 Tap hole
Finishing	Pre-polished		

	Bowl type RH	Bowl thickness (mm)	Bowl dimensions, WxDxH (mm)	Bowl depth (mm)	Radius corner right bowl (mm)	Overflow	Strainer position	Strainer dimension
RH Bowl	Traditional	0.6	330 * 370 * 154	154	90	Yes, traditional	Side bowl	3.5"

## Technical Features

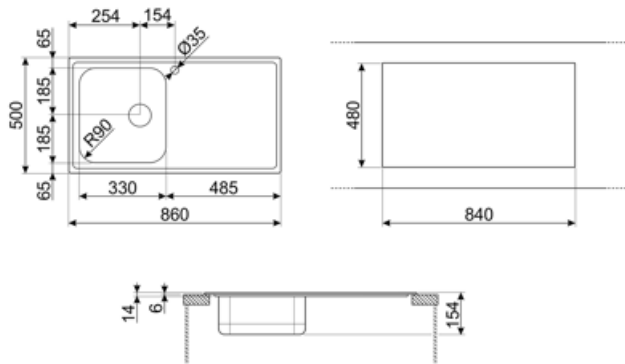


Frame thickness	0,6 mm	Tap hole	1
Frame depth (mm)	8	Tap hole diameter	35 mm
Dimensions of the product (mm)	154x860x500 mm	Dividing wall width	40 mm
Cutout dimension topmount (mm)	840 x 480 mm	Drainer inclination	2 °
Undermount cutout radius	10 mm	Gasket type	Sealing paste
Height from kitchen top	8 mm	No. of clips	8
Base unit size	45 cm	Type of clips	Standard

## Accessories Included

Accessories for  
installation

Strainer, Siphon with  
dishwasher outlet  
connection, Fixing clips,  
Gasket



---

## Compatible Accessories

---



**3712**

Siphon single bowl sinks (dishwasher connection included)



**KITFD075**

Waste disposal 0,75 HP, Motor: 1/2 horsepower, Fits all sinks with 3 1/2" waste outlet



**RND1V**

Rondò waste kit 1 bowl with standard overflow



**KITFD050**

Waste disposal 0,5 HP, Motor: 1/2 horsepower, Fits all sinks with 3 1/2" waste outlet



**KITFD100**

Waste disposal 1 HP, Motor: 1/2 horsepower, Fits all sinks with 3 1/2" waste outlet



**STABMIX**

Tap stabiliser

---

## Symbols glossary

---



Cupboard width required for sink installation



Sink depth - depending on the model, the depth can be from 13 to 24,5



Standard installation: Traditional installation in tabletop, suitable for any kitchen sets

---

## Benefit (TT)

---

### **One bowl**

A single bowl for greater adaptability, capacity and space optimisation

### **Drainer**

The drawer allows dishes, cutlery and kitchen utensils to be placed directly on the sink after washing: excess water can drain into the sink, allowing for natural drying

### **Tap hole**

Possibility of having the tap hole for direct installation of the tap on the sink, for a larger and neater surface area