

LYP862

Sink material	Stainless steel
Type	Monoblock sink
No. of bowls	2
EAN code	8017709251611



Aesthetics



Aesthetic	Universale	Building in type	Standard
Colour	Stainless steel	Logo	Embossed
Finishing	Pre-polished	Tap hole / precut tap hole	1 Tap hole
Series	Omni		

	Bowl type RH	Bowl thickness (mm)	Bowl dimensions, WxDxH (mm)	Bowl depth (mm)	Radius corner right bowl (mm)	Overflow	Strainer position	Strainer dimension
RH Bowl	Traditional	0.6	370 * 370 * 149	150	90	Yes, traditional	Side bowl	3.5"
LH Bowl	Traditional	0.6	370 * 370 * 149	150	90		Side bowl	3.5"

Technical Features



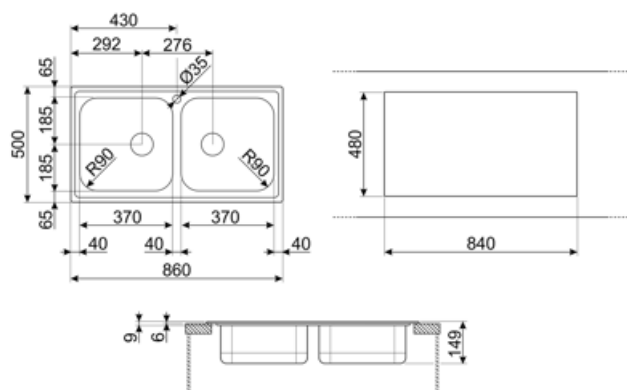
Frame thickness	0,6 mm	Tap hole	1
Frame depth (mm)	8	Tap hole diameter	35 mm
Dimensions of the product (mm)	150x860x500 mm	Dividing wall width	40 mm
Cutout dimension topmount (mm)	840 x 480 mm	Gasket type	Sealing paste
Undermount cutout radius	10 mm	No. of clips	8
		Type of clips	Standard

Height from kitchen top 8 mm
Base unit size 90 cm

Accessories included

Accessories for installation

Strainer, Siphon with dishwasher outlet connection, Fixing clips, Gasket



Compatible Accessories



3713

Siphon double bowls sinks (dishwasher connection included)



KITFD075

Waste disposal 0,75 HP, Motor: 1/2 horsepower, Fits all sinks with 3 1/2" waste outlet



RND2V

2 Bowls standard Rondò waste kit with rectangular overflow



KITFD050

Waste disposal 0,5 HP, Motor: 1/2 horsepower, Fits all sinks with 3 1/2" waste outlet



KITFD100

Waste disposal 1 HP, Motor: 1/2 horsepower, Fits all sinks with 3 1/2" waste outlet



STABMIX

Tap stabiliser

Symbols glossary



Cupboard width required for sink installation.



Sink depth - depending on the model, the depth can be from 13 to 24,5.



Standard installation: Traditional installation in tabletop, suitable for any kitchen sets.