

M16CSP



Product family	Taps
Material	Brass
Swivelling spout	Yes
Swivelling spout rotation	360 °



Aesthetics

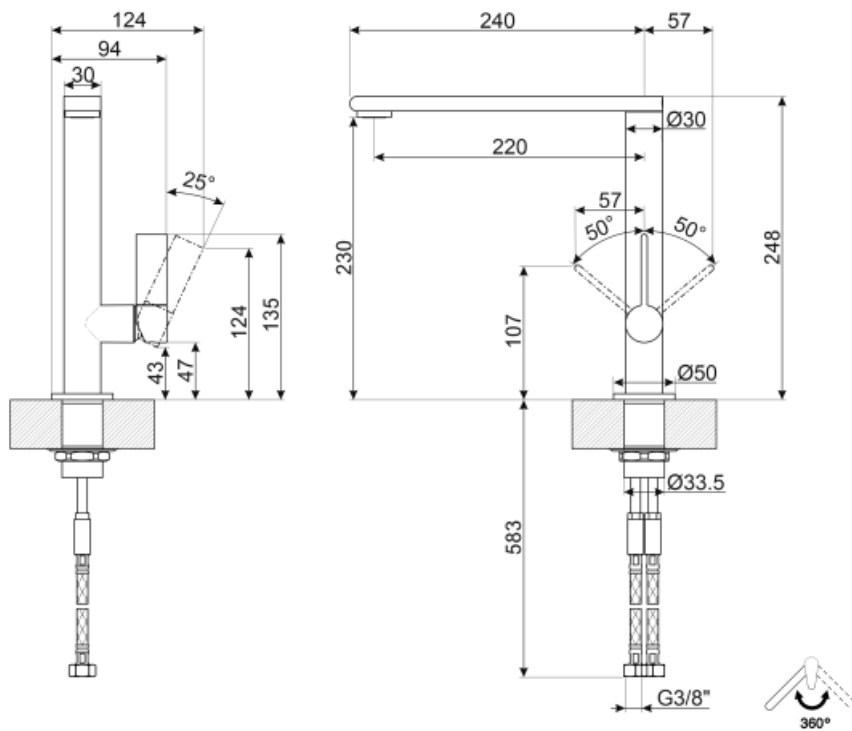
Aesthetic	Universale	Tap type	Single lever
Colour	Chrome	Jet type	Single jet
Finishing	Brushed	Aerator	Yes
Spout type	L spout	Flexible hoses number	2

Technical Features

Flexible hoses lenght	500 mm	Minimum pressure	0,5 bar
Flexible hoses connection	3/8 "	Optimal pressure	3 bar
Ceramic disc cartridge type	25 Ø	Water production (l/min)	10,8 l
Maximum pressure	5 bar	Tap hole diameter	35 mm

Logistic Information

Product height (mm)	231 mm
---------------------	--------



Symbols glossary (TT)



Swivel spout rotation 360°