

MAF50CR



Product Family	Taps
Material	Brass
Swivelling spout	Yes
Swivelling spout rotation	360 °



Aesthetics

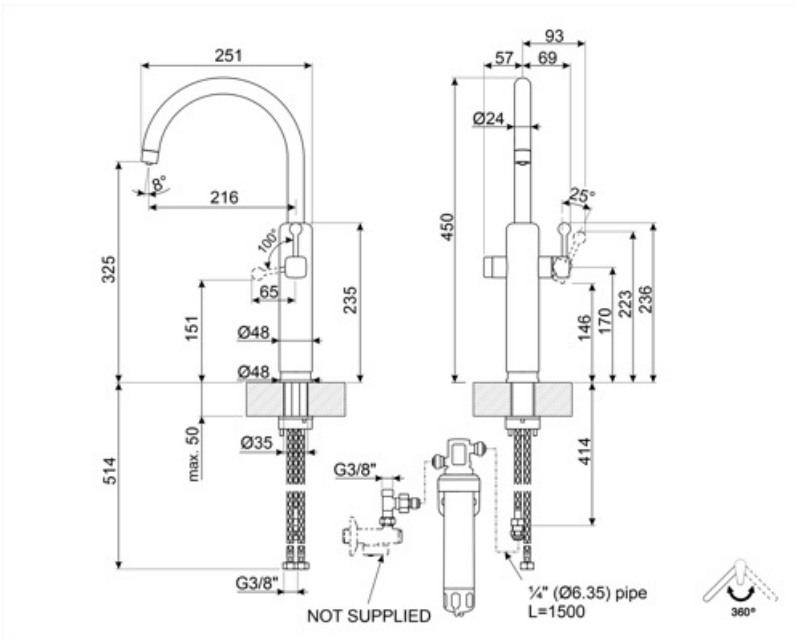
Aesthetics	50's Style	Handle for filtered water supply	Yes
Colour	Cream	Filter included	Si
Spout type	J spout	Jet type	Single jet
Tap type	Single lever filtered water	Aerator	Yes with double flow for filtered water
Finishing	Gloss	Flexible hoses number	3

Technical Features

Flexible hoses lenght	650 mm	Filtered water cartridge type	On-off
Flexible hoses connection	3/8 "	Water depuration filter	Yes, filter cartridge included
Maximum pressure	5 bar	Water depuration filter type	Activated carbon
Minimum pressure	0,5 bar	Filtration	Cloro, sedimenti, protozoi e cisti, composti organici volatili
Optimal pressure	3 bar	Filtration degree	0.5 micron
Ceramic disc cartridge type	25 Ø	Inlet temperature	4.4 - 38 °C
Tap hole diameter	35 mm		

Logistic Information

Product Height (mm)	450 mm
---------------------	--------



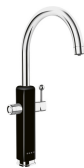
Compatible Accessories



KITMAF

Under-sink water filter for supplying cold filtered water from the tap. For MAF50BL, MAF50CR, MAF50WH, MAFD1CR, MAFD1MN

Alternative products



MAF50BL
Colour: Black



MAF50WH
Colour: White

Symbols glossary



Swivel spout rotation 360°