

## MAFD1CR



Product family	Taps
Material	Brass
Swivelling spout	Yes
Swivelling spout rotation	360 °



## Aesthetics



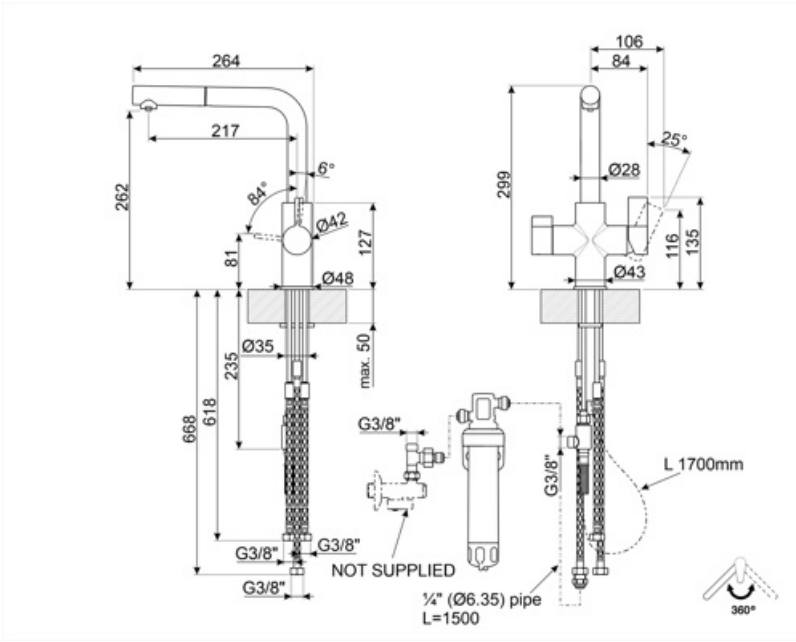
Aesthetic	Universale	Filter included	Si
Colour	Chrome	Handshower	Extractable
Spout type	L spout	Jet type	Single jet
Tap type	Double lever filtered water	Aerator	Yes with double flow for filtered water
Finishing	Glossy	Flexible hoses number	5
Handle for filtered water supply	Yes		

## Technical Features

Flexible hoses length	470 mm	Tap hole diameter	35 mm
Flexible hoses connection	3/8 "	Non-return valve	Yes
Maximum pressure	5 bar	Water depuration filter	Yes
Minimum pressure	0,5 bar	Water depuration filter type	Activated carbon
Optimal pressure	3 bar	Filtration	Cloro, sedimenti, protozoi e cisti, composti organici volatili
Water production (l/min)	6 l	Filtration degree	0.5 micron
Ceramic disc cartridge type	35 Ø	Inlet temperature	4.4 - 38 °C

## Logistic Information

Product height (mm)	299 mm
---------------------	--------



---

## Compatible Accessories

---



### KITMAF

Replacement water filter under-sink for supplying cold filtered water from the tap. Compatible with MAF50BL, MAF50CR, MAF50WH, MAFD1CR, MAFD1MN

## Alternative products

---



MAFD1MN

Colour: Black

## Symbols glossary

---



Swivel spout rotation 360°



The extractable handshower allows to increase the range of action of the tap and it is extremely versatile, practical and comfortable.