

MAP770T



Product family	Taps
Material	Brass
Swivelling spout	Yes
Swivelling spout rotation	360 °



Aesthetics

Aesthetic	Coloniale	Handle for filtered water supply	Yes
Colour	Brass	Jet type	Single jet
Spout type	L spout	Aerator	Yes with double flow for filtered water
Tap type	Double lever filtered water	Flexible hoses number	3
Finishing	Brass		

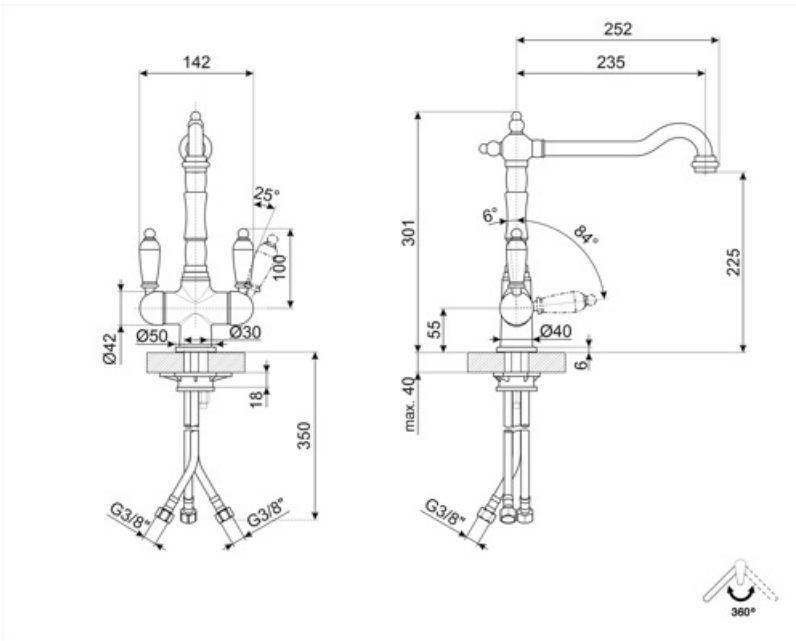
Technical Features



Characteristics	ESC	Optimal pressure	3 bar
Flexible hoses lenght	400 mm	Ceramic disc cartridge type	35 Ø
Flexible hoses connection	3/8 "	Tap hole diameter	35 mm
Maximum pressure	5 bar	Filtered water cartridge type	20x1
Minimum pressure	0,5 bar		

Logistic Information

Product height (mm)	301 mm
---------------------	--------



Symbols glossary



ESC: with the ESC Energy Saving Cartridge system the control lever positioned in the middle dispenses only cold water, and not 50% of hot and 50% of c



Swivel spout rotation 360°