

# MAP99CR




Product Family	Taps
Material	Brass
Swivelling spout	Yes
Swivelling spout rotation	360 °



## Aesthetics

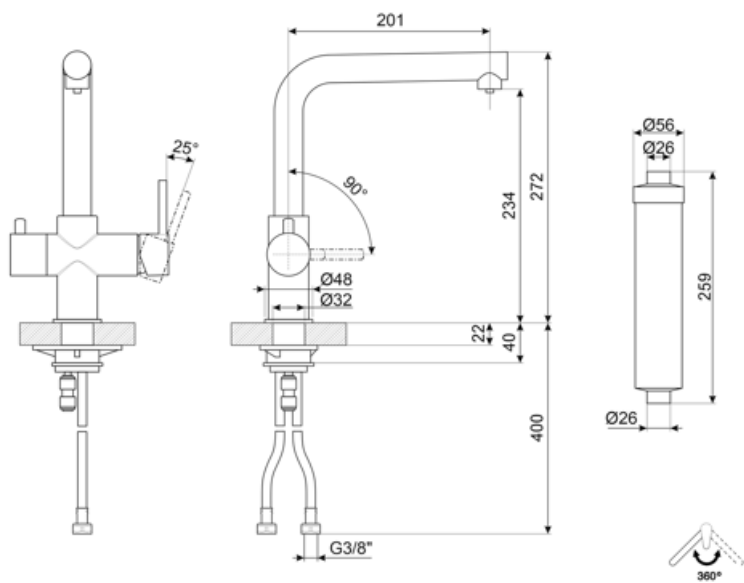
Aesthetics	Universal	Handle for filtered water supply	Yes
Colour	Chrome	Jet type	Single jet
Finishing	Gloss	Aerator	Yes with double flow for filtered water
Spout type	L spout	Flexible hoses number	3
Tap type	Single lever filtered water		

## Technical Features

			
Characteristics	ESC	Water depuration filter type	FIAP 16007 - 1100l capacity
Flexible hoses lenght	360 mm	Maximum pressure	10 bar
Flexible hoses connection	3/8 "	Minimum pressure	0,5 bar
Ceramic disc cartridge type	35 Ø	Optimal pressure	3 bar
Filtered water cartridge type	20x1	Tap hole diameter	35 mm
Water depuration filter	Yes		

## Logistic Information

Product Height (mm)	272 mm
---------------------	--------



---

## Symbols glossary

---



ESC: with the ESC Energy Saving Cartridge system the control lever positioned in the middle dispenses only cold water, and not 50% of hot and 50% of cold. To obtain hot water, turn the lever further to the left. Thus the use does not operate the boiler.



Swivel spout rotation 360°