

# MAP99CR



Product family	Taps
Material	Brass
Swivelling spout	Yes
Swivelling spout rotation	360 °



## Aesthetics

Aesthetic	Universale	Handle for filtered water supply	Yes
Colour	Chrome	Jet type	Single jet
Spout type	L spout	Aerator	Yes with double flow for filtered water
Tap type	Double lever filtered water	Flexible hoses number	3
Finishing	Glossy		

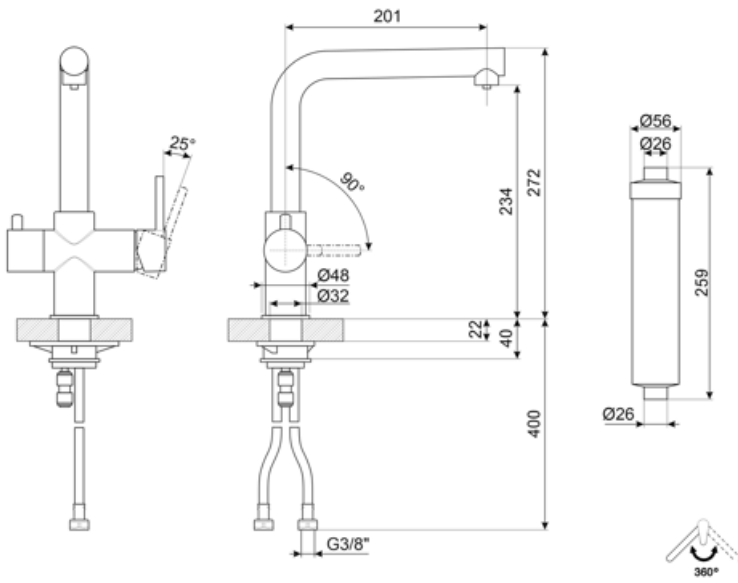
## Technical Features



Characteristics	ESC	Ceramic disc cartridge type	35 Ø
Flexible hoses lenght	360 mm	Tap hole diameter	35 mm
Flexible hoses connection	3/8 "	Filtered water cartridge type	20x1
Maximum pressure	10 bar	Water depuration filter	Yes
Minimum pressure	0,5 bar	Water depuration filter type	FIAP 16007 - 1100l capacity
Optimal pressure	3 bar		

## Logistic Information

Product height (mm)	272 mm
---------------------	--------



## Symbols glossary

---



ESC: with the ESC Energy Saving Cartridge system the control lever positioned in the middle dispenses only cold water, and not 50% of hot and 50% of c



Swivel spout rotation 360°