

## MC18CR



Product family	Taps
Material	Brass
Swivelling spout	Yes
Swivelling spout rotation	360 °



### Aesthetics

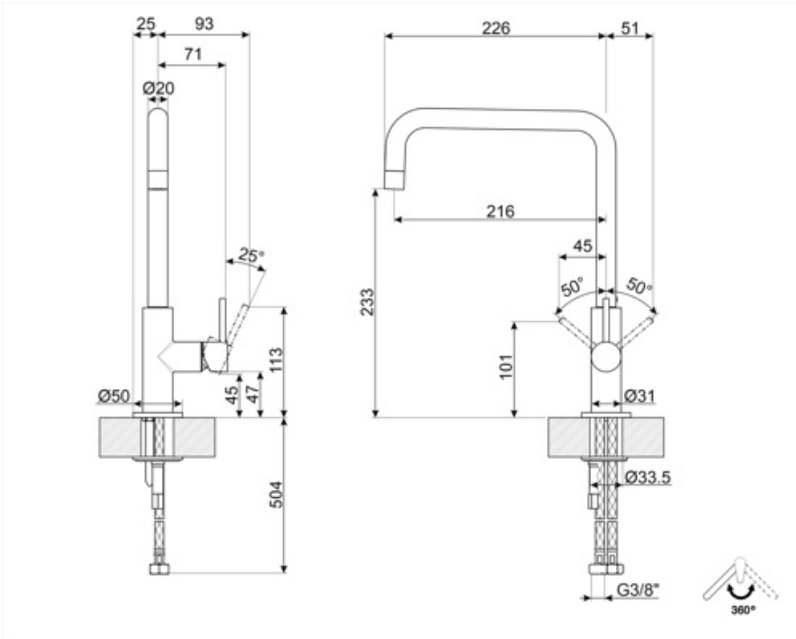
Aesthetic	Universale	Finishing	Glossy
Colour	Chrome	Jet type	Single jet
Spout type	U spout	Aerator	Yes
Tap type	Single lever	Flexible hoses number	2

### Technical Features

Flexible hoses lenght	450 mm	Optimal pressure	3 bar
Flexible hoses connection	3/8 "	Water production (l/min)	11 l
Maximum pressure	5 bar	Ceramic disc cartridge type	35 Ø
Minimum pressure	0,5 bar	Tap hole diameter	35 mm

### Logistic Information

Product height (mm)	315 mm
---------------------	--------



---

## Compatible Accessories

---



**STABMIX**  
Tap stabiliser

## Symbols glossary

---



Swivel spout rotation 360°