

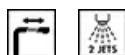
MD10CR2



| | |
|-------------------------|-------|
| Familia | Grifo |
| Material | Latón |
| Caño giratorio | Sí |
| Rotación caño giratorio | 120 ° |



Estética



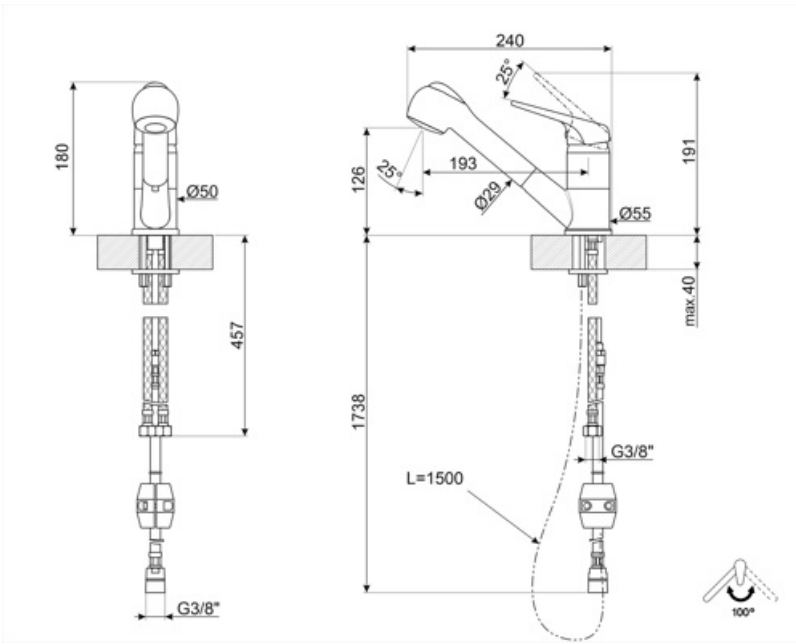
| | | | |
|---------------|----------------|--|-------------|
| Estética | Universal | Perforado / predispuesto para la perforación | Extractable |
| Color | Cromo | Jet type | Double jets |
| Acabado | Brillante | Aireador | Sí |
| Spout type | Straight spout | Número de mangueras flexibles | 2 |
| Tipo de grifo | Mono mando | | |

Características técnicas

| | | | |
|-------------------------------------|--------|------------------------------------|---------|
| Longitud mangueras flexibles | 400 mm | Presión mínima | 0,5 bar |
| Conexión de mangueras flexibles. | 3/8 " | Presión óptima | 3 bar |
| Tipo de cartucho | 35 Ø | Water production (l/min) | 8,5 l |
| Tipo de grifo | Sí | Diámetro del orificio del grifo | 35 mm |
| Presión máxima | 5 bar | | |

Datos logísticos

| | |
|-----------------------------|--------|
| Altura del producto (mm) | 180 mm |
|-----------------------------|--------|



Symbols glossary



Swivel spout rotation 120°



Double jet handshower. It is possible to simply switch between a standard stream mode and a spray mode.



The extractable handshower allows to increase the range of action of the tap and it is extremely versatile, practical and comfortable.

Benefit (TT)

Extractable shower

Practical extractable shower to easily reach every point of the sink

The hand shower of the mixer can be pulled out completely to increase the reach of the mixer and facilitate daily cleaning

Double jet

Double jet shower to meet different needs in the kitchen

The double jet shower offers the possibility of simply switching between standard and spray modes for greater convenience and versatility