

## MD10CR3



Product family	Taps
Material	Brass
Swivelling spout	Yes
Swivelling spout rotation	100 °



## Aesthetics



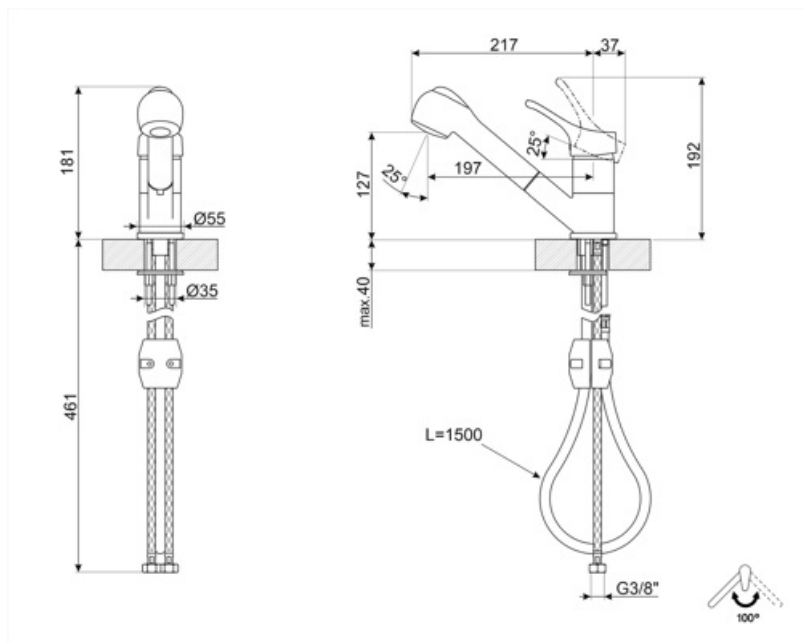
Aesthetic	Universale	Handshower	Extractable
Colour	Chrome	Jet type	Double jets
Finishing	Glossy	Aerator	Yes
Spout type	Straight spout	Flexible hoses number	2
Tap type	Single lever		

## Technical Features

Flexible hoses lenght	450 mm	Maximum pressure	5 bar
Flexible hoses connection	3/8 "	Minimum pressure	0,5 bar
Ceramic disc cartridge type	40 Ø	Optimal pressure	3 bar
Non-return valve	Yes	Tap hole diameter	35 mm

## Logistic Information

Product height (mm)	192 mm
---------------------	--------



---

## Symbols glossary

---



Swivel spout rotation 100°



Double jet handshower. It is possible to simply switch between a standard stream mode and a spray mode.



The extractable handshower allows to increase the range of action of the tap and it is extremely versatile, practical and comfortable.

## Benefit (TT)

---

### **Extractable shower**

Practical extractable shower to easily reach every point of the sink

The hand shower of the mixer can be pulled out completely to increase the reach of the mixer and facilitate daily cleaning

### **Double jet**

Double jet shower to meet different needs in the kitchen

The double jet shower offers the possibility of simply switching between standard and spray modes for greater convenience and versatility