

MD15CR



Product family	Taps
Material	Brass
Swivelling spout	Yes
Swivelling spout rotation	120 °



Aesthetics



Aesthetic	Universale	Handshower	Extractable
Colour	Chrome	Jet type	Single jet
Finishing	Glossy	Aerator	Yes
Spout type	Straight spout	Flexible hoses number	2
Tap type	Single lever		

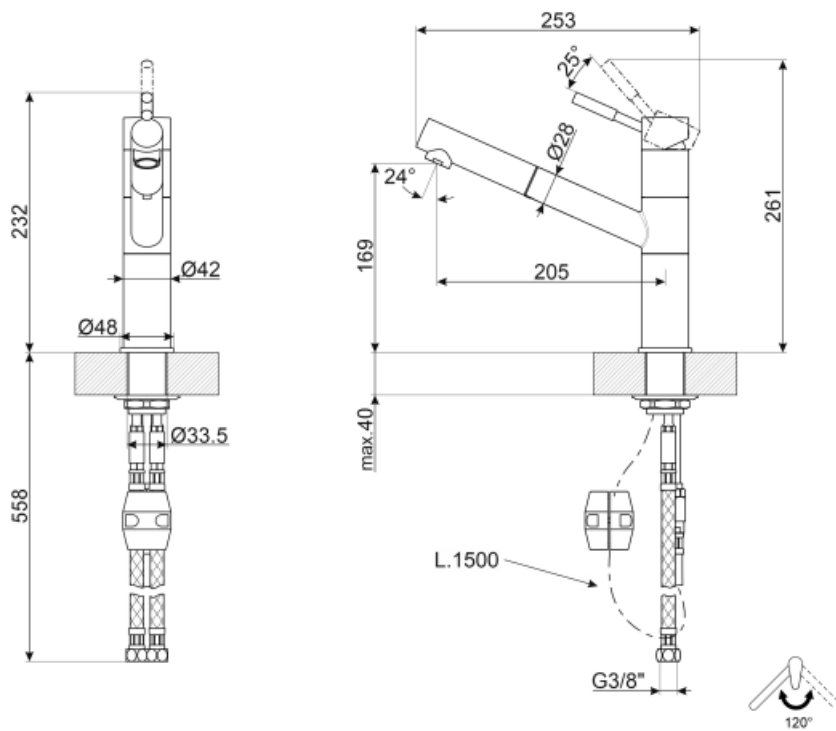
Technical Features



Characteristics	ESC	Maximum pressure	5 bar
Flexible hoses lenght	550 mm	Minimum pressure	0,5 bar
Flexible hoses connection	3/8 "	Optimal pressure	3 bar
Ceramic disc cartridge type	35 Ø	Tap hole diameter	35 mm
Non-return valve	Yes		

Logistic Information

Product height (mm)	261 mm
---------------------	--------



Not included accessories



STABMIX
Tap stabiliser

Symbols glossary (TT)



ESC: with the ESC Energy Saving Cartridge system the control lever positioned in the middle dispenses only cold water, and not 50% of hot and 50% of c



Swivel spout rotation 120°



The extractable handshower allows to increase the range of action of the tap and it is extremely versatile, practical and comfortable.