

# MDF50RD



Product Family	Taps
Material	Brass
Swivelling spout	Yes
Swivelling spout rotation	360 °



## Aesthetics



Aesthetics	50's Style	Handshower	Detachable
Colour	Red	Jet type	Single jet
Finishing	Chrome	Aerator	Yes
Spout type	Spring spout	Flexible hoses number	2
Tap type	Semi-professional single lever		

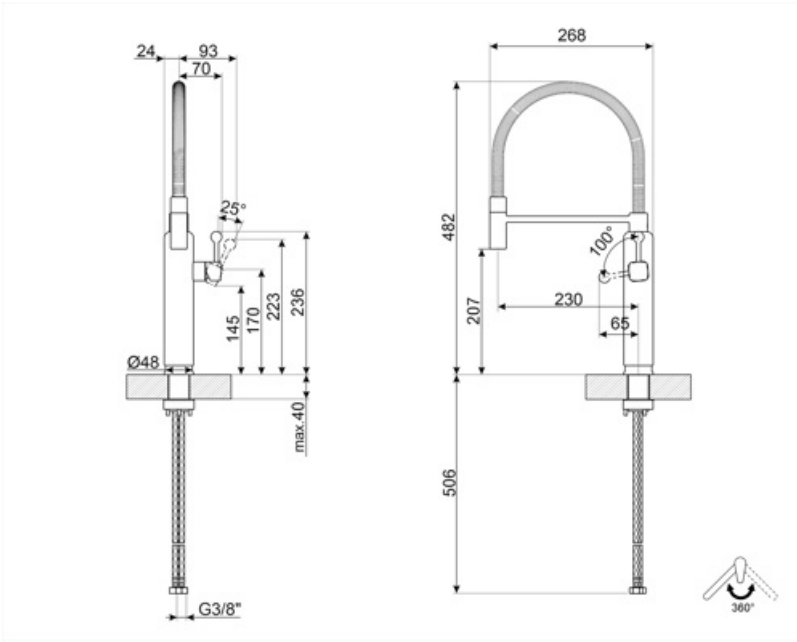
## Technical Features



Characteristics	ESC	Minimum pressure	0,5 bar
Flexible hoses lenght	450 mm	Optimal pressure	3 bar
Flexible hoses connection	3/8 "	Water production (l/min)	8,3 l
Ceramic disc cartridge type	25 Ø	Tap hole diameter	35 mm
Maximum pressure	5 bar		

## Logistic Information

Product Height (mm)	482 mm
---------------------	--------



---

## Alternative products

---



**MDF50WH**  
Colour: White



**MDF50SS**  
Colour: Chrome



**MDF50BL**  
Colour: Black



**MDF50PG**  
Colour: Pastel Green



**MDF50PB**  
Colour: Pastel Blue



**MDF50CR**  
Colour: Cream

---

## Symbols glossary

---



ESC: with the ESC Energy Saving Cartridge system the control lever positioned in the middle dispenses only cold water, and not 50% of hot and 50% of cold. To obtain hot water, turn the lever further to the left. Thus the use does not operate the boiler.



Swivel spout rotation 360°



The mobile hand shower of the Semi-Professional taps with high spout allows you to easily reach every point of the sink.

## Benefit

---

### **Mobile shower semi-professional**

The practical mobile shower is designed to easily reach every corner of the sink ,offering enhanced flexibility for daily cleaning tasks.

The mobile shower of the semi-professional taps with high spout allows you to easily reach every point of the sink for more practical and comfortable use, as well as easier cleaning

### **Energy Saving Cartridge**

Energy saving thanks to the special Energy Saving Cartridge (ESC) function

With the ESC function, the tap lever set in a central position supplies only cold water, instead of mixed cold and hot water as usual, saving in energy consumption. For hot water, the lever must be turned to the left

The 360° spout rotation offers ultimate flexibility, allowing you to direct the water flow precisely where you need it, making cleaning and rinsing easier and more efficient.