

## MI1CR



Product familie	Kranen
Materiaal	Messing
Draaibare uitloop	Ja
Rotatie draaibare uitloop	360 °



## Design

Design	Universeel	Afwerking	Glanzend
Kleur	Chroom	Jet type	Single jet
Spout type	L spout	Aerator	Ja
Type kraan	Enkele hendel	Aantal flexibele slangen	2

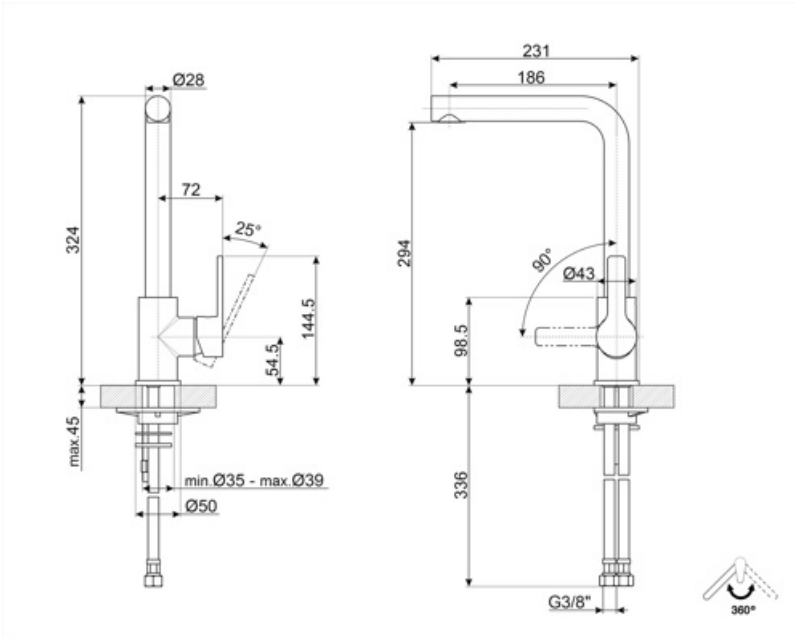
## Technische specificaties



Eigenschappen	ESC, WSC	Optimale druk	3 bar
Lengte flexibele slang	370 mm	Water production (l/min)	12 l
Aansluiting flexibele slangen	3/8 "	Type cartouche met keramische schijven	35 Ø
Maximum druk	5 bar	Diameter kraangat	35 mm
Minimum druk	1 bar		

## Logistieke informatie

Hoogte product (mm)	325 mm
---------------------	--------



---

## Compatible Accessories

---






**STABMIX**  
Tap stabiliser

---

## Symbols glossary

---

- |  |  |   |  |
|--|--|---|--|
|  | ESC: with the ESC Energy Saving Cartridge system the control lever positioned in the middle dispenses only cold water, and not 50% of hot and 50% of c |  | WSC: with the WSC Water Saving Cartridge the control lever stops halfway, causing 50% of the water (sufficient for normal cooking activities) to be di |
|  | Swivel spout rotation 360°   |   |  |