

## MI4CR



Product family	Taps
Material	Brass
Swivelling spout	Yes
Swivelling spout rotation	360 °



## Aesthetics

Aesthetic	Universale	Finishing	Glossy
Colour	Chrome	Jet type	Single jet
Spout type	J spout	Aerator	Yes
Tap type	Single lever	Flexible hoses number	2

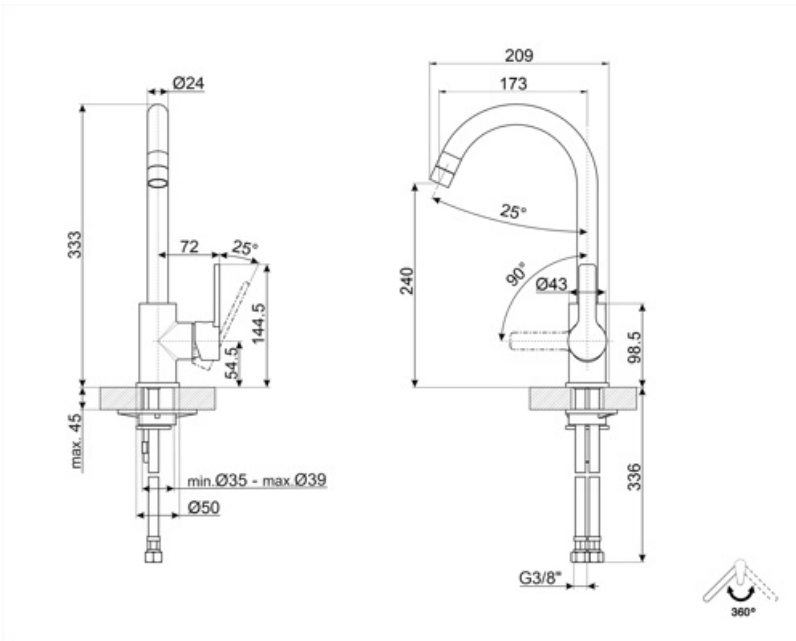
## Technical Features



Characteristics	ESC	Optimal pressure	3 bar
Flexible hoses lenght	370 mm	Water production (l/min)	12 l
Flexible hoses connection	3/8 "	Ceramic disc cartridge type	35 Ø
Maximum pressure	5 bar	Tap hole diameter	35 mm
Minimum pressure	1 bar		

## Logistic Information

Product height (mm)	245 mm
---------------------	--------



---

## Compatible Accessories

---



**STABMIX**  
Tap stabiliser

---

## Symbols glossary

---



ESC: with the ESC Energy Saving Cartridge system the control lever positioned in the middle dispenses only cold water, and not 50% of hot and 50% of c



Swivel spout rotation 360°