

## MID1CR



|                           |       |
|---------------------------|-------|
| Product Family            | Taps  |
| Material                  | Brass |
| Swivelling spout          | Yes   |
| Swivelling spout rotation | 180 ° |



## Aesthetics



|            |              |                       |             |
|------------|--------------|-----------------------|-------------|
| Aesthetics | Universal    | Handshower            | Extractable |
| Colour     | Chrome       | Jet type              | Single jet  |
| Finishing  | Gloss        | Aerator               | Yes         |
| Spout type | L spout      | Flexible hoses number | 2           |
| Tap type   | Single lever |                       |             |

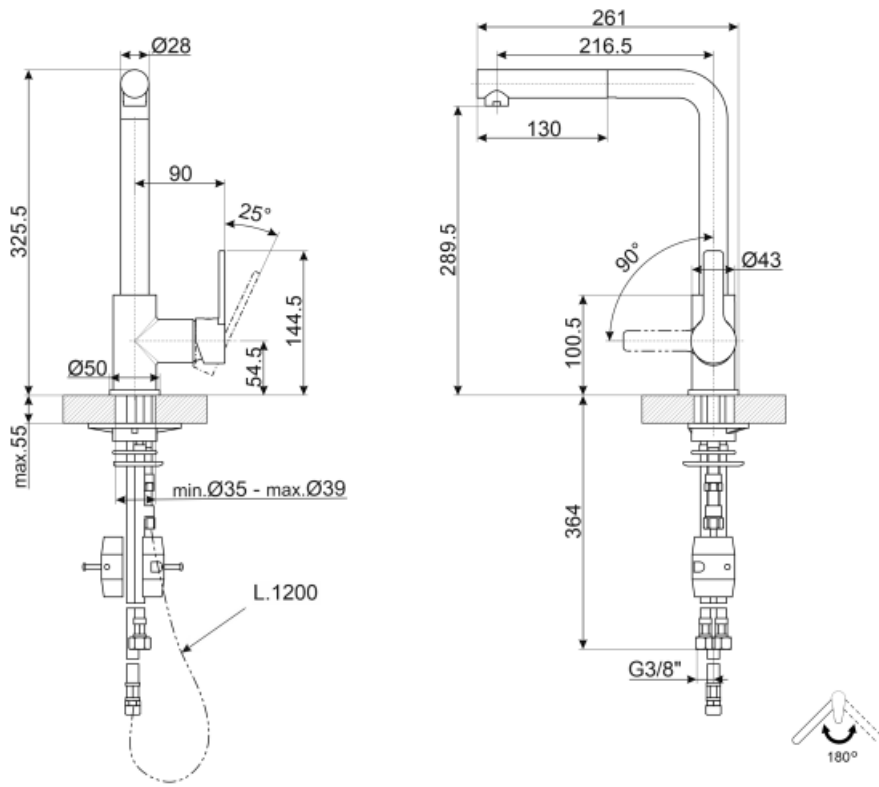
## Technical Features



|                             |          |                          |       |
|-----------------------------|----------|--------------------------|-------|
| Characteristics             | ESC, WSC | Maximum pressure         | 5 bar |
| Flexible hoses lenght       | 400 mm   | Minimum pressure         | 1 bar |
| Flexible hoses connection   | 3/8 "    | Optimal pressure         | 3 bar |
| Ceramic disc cartridge type | 35 Ø     | Water production (l/min) | 12 l  |
| Tap type                    | Yes      | Tap hole diameter        | 35 mm |

## Logistic Information

|                     |        |
|---------------------|--------|
| Product Height (mm) | 325 mm |
|---------------------|--------|



## Not included accessories

---







STABMIX

Tap brace

---

## Symbols glossary

---

- |  |   |   |   |
|--|---|---|---|
|  | ESC: with the ESC Energy Saving Cartridge system the control lever positioned in the middle dispenses only cold water, and not 50% of hot and 50% of cold. To obtain hot water, turn the lever further to the left. Thus the use does not operate the boiler. |  | WSC: with the WSC Water Saving Cartridge the control lever stops halfway, causing 50% of the water (sufficient for normal cooking activities) to be dispensed from the mixer to save water consumption. |
|  | Swivel spout rotation 180°  |  | The extractable handshower allows to increase the range of action of the tap and it is extremely versatile, practical and comfortable.  |