

## MID1CR



Product family	Taps
Material	Brass
Swivelling spout	Yes
Swivelling spout rotation	180 °



## Aesthetics



Aesthetic	Universale	Handshower	Extractable
Colour	Chrome	Jet type	Single jet
Finishing	Glossy	Aerator	Yes
Spout type	L spout	Flexible hoses number	2
Tap type	Single lever		

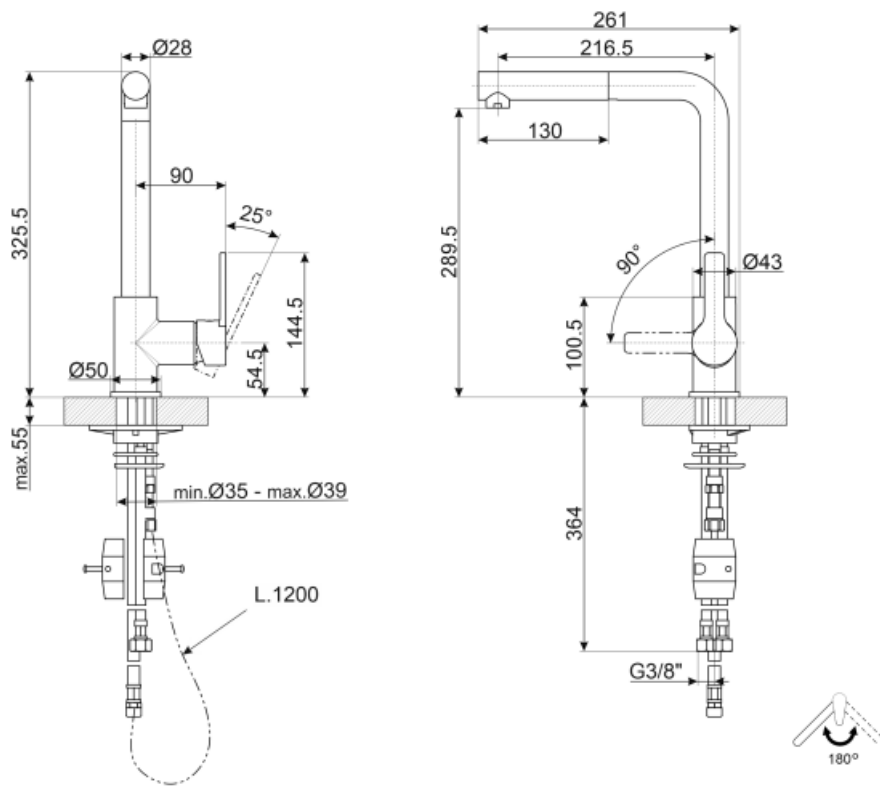
## Technical Features



Characteristics	ESC, WSC	Maximum pressure	5 bar
Flexible hoses lenght	400 mm	Minimum pressure	1 bar
Flexible hoses connection	3/8 "	Optimal pressure	3 bar
Ceramic disc cartridge type	35 Ø	Water production (l/min)	12 l
Non-return valve	Yes	Tap hole diameter	35 mm

## Logistic Information

Product height (mm)	325 mm
---------------------	--------



---

## Not included accessories

---







**STABMIX**  
Tap stabiliser

---

## Symbols glossary (TT)

---

- |  |  |   |  |
|--|--|---|--|
|  | ESC: with the ESC Energy Saving Cartridge system the control lever positioned in the middle dispenses only cold water, and not 50% of hot and 50% of c |  | WSC: with the WSC Water Saving Cartridge the control lever stops halfway, causing 50% of the water (sufficient for normal cooking activities) to be di |
|  | Swivel spout rotation 180°   |  | The extractable handshower allows to increase the range of action of the tap and it is extremely versatile, practical and comfortable.                 |