

MID1CR



Product familie	Kranen
Materiaal	Messing
Draaibare uitloop	Ja
Rotatie draaibare uitloop	180 °



Design



Design	Universeel	Sproeier	Extractable
Kleur	Chroom	Jet type	Single jet
Spout type	L spout	Aerator	Ja
Type kraan	Enkele hendel	Aantal flexibele slangen	2
Afwerking	Glanzend		

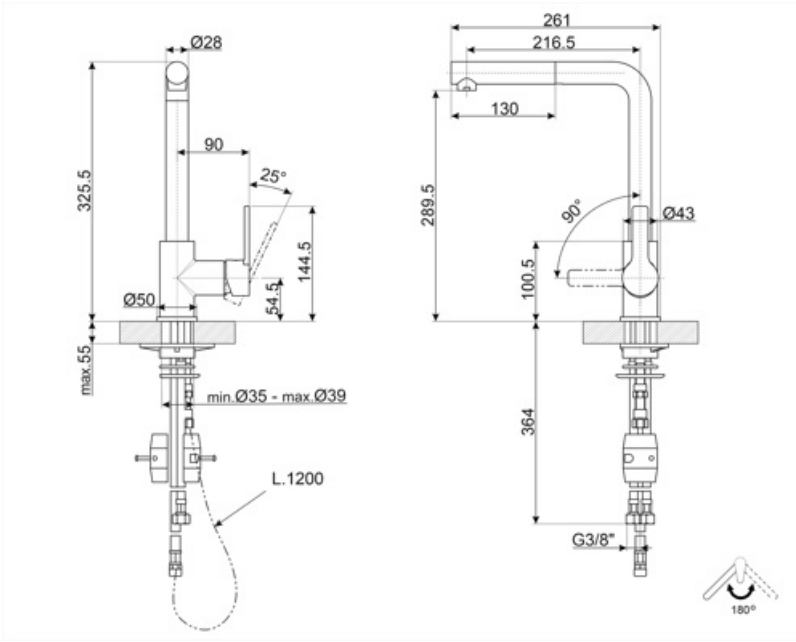
Technische specificaties



Eigenschappen	ESC, WSC	Optimale druk	3 bar
Lengte flexibele slang	400 mm	Water production (l/min)	12 l
Aansluiting flexibele slangen	3/8 "	Type cartouche met keramische schijven	35 Ø
Maximum druk	5 bar	Diameter kraangat	35 mm
Minimum druk	1 bar	Non-return valve	Ja

Logistieke informatie

Hoogte product (mm)	325 mm
---------------------	--------



Compatible Accessories



STABMIX
Tap stabiliser

Alternative products







MID1MN
Kleur: Zwart



MID1NS
Kleur: Nickel

Symbols glossary

- | | | | |
|--|--|---|--|
|  | ESC: with the ESC Energy Saving Cartridge system the control lever positioned in the middle dispenses only cold water, and not 50% of hot and 50% of c |  | WSC: with the WSC Water Saving Cartridge the control lever stops halfway, causing 50% of the water (sufficient for normal cooking activities) to be di |
|  | Swivel spout rotation 180° |  | The extractable handshower allows to increase the range of action of the tap and it is extremely versatile, practical and comfortable. |