

## MID2CR



Product family	Taps
Material	Brass
Swivelling spout	Yes
Swivelling spout rotation	180 °



## Aesthetics



Aesthetic	Universale	Handshower	Extractable
Colour	Chrome	Jet type	Single jet
Finishing	Glossy	Aerator	Yes
Spout type	J spout	Flexible hoses number	2
Tap type	Single lever		

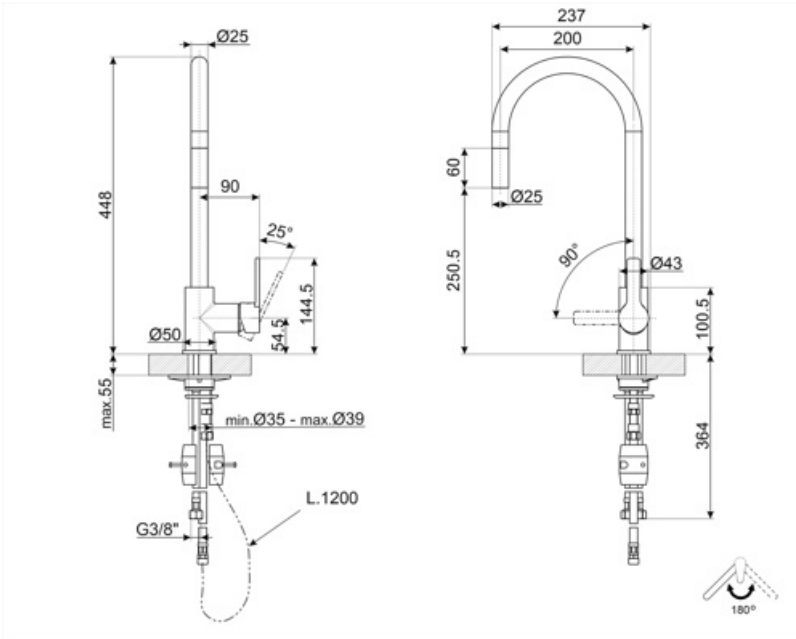
## Technical Features



Characteristics	ESC, WSC	Maximum pressure	5 bar
Flexible hoses lenght	400 mm	Minimum pressure	1 bar
Flexible hoses connection	3/8 "	Optimal pressure	3 bar
Ceramic disc cartridge type	35 Ø	Water production (l/min)	12 l
Non-return valve	Yes	Tap hole diameter	35 mm

## Logistic Information

Product height (mm)	448 mm
---------------------	--------



---

## Not included accessories

---







**STABMIX**  
Tap stabiliser

---

## Symbols glossary (TT)

---

	ESC: with the ESC Energy Saving Cartridge system the control lever positioned in the middle dispenses only cold water, and not 50% of hot and 50% of c		WSC: with the WSC Water Saving Cartridge the control lever stops halfway, causing 50% of the water (sufficient for normal cooking activities) to be di
	Swivel spout rotation 180°		The extractable handshower allows to increase the range of action of the tap and it is extremely versatile, practical and comfortable.

## Benefit (TT)

---

Spout rotation 180°

### **Extractable shower**

Practical extractable shower to easily reach every point of the sink

The hand shower of the mixer can be pulled out completely to increase the reach of the mixer and facilitate daily cleaning

### **Energy Saving Cartridge**

Energy saving thanks to the special Energy Saving Cartridge (ESC) function

With the ESC function, the tap lever set in a central position supplies only cold water, instead of mixed cold and hot water as usual, saving in energy consumption. For hot water, the lever must be turned to the left

### **Water Saving Cartridge**

Water consumption can be reduced thanks to the special Water Saving Cartridge (WSC) function

With the WSC function, the tap lever stops first halfway, providing only 50% of the normal water flow, reducing water consumption. It is possible to deliver 100% water flow by completely opening the tap lever