

MID2MN



Product family	Taps
Material	Brass
Swivelling spout	Yes
Swivelling spout rotation	180 °



Aesthetics



Aesthetic	Universale	Handshower	Extractable
Colour	Black	Jet type	Single jet
Spout type	J spout	Aerator	Yes
Tap type	Single lever	Flexible hoses number	2
Finishing	Matt		

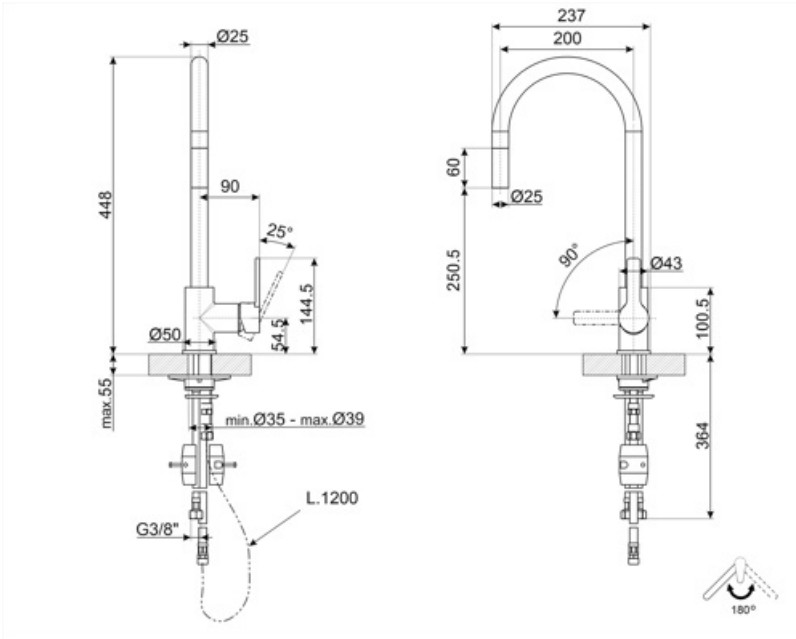
Technical Features



Characteristics	ESC, WSC	Optimal pressure	3 bar
Flexible hoses lenght	400 mm	Ceramic disc cartridge type	35 Ø
Flexible hoses connection	3/8 "	Tap hole diameter	35 mm
Maximum pressure	5 bar	Non-return valve	Yes
Minimum pressure	1 bar		

Logistic Information

Product height (mm)	448 mm
---------------------	--------



Compatible Accessories



STABMIX

Tap stabiliser





Alternative products



MID2CR

Colour: Chrome

Symbols glossary

- | | | | |
|--|--|---|--|
|  | ESC: with the ESC Energy Saving Cartridge system the control lever positioned in the middle dispenses only cold water, and not 50% of hot and 50% of c |  | WSC: with the WSC Water Saving Cartridge the control lever stops halfway, causing 50% of the water (sufficient for normal cooking activities) to be di |
|  | Swivel spout rotation 180° |  | The extractable handshower allows to increase the range of action of the tap and it is extremely versatile, practical and comfortable. |