

MID2MN



| | |
|---------------------------|-------|
| Product family | Taps |
| Material | Brass |
| Swivelling spout | Yes |
| Swivelling spout rotation | 180 ° |



Aesthetics



| | | | |
|------------|--------------|-----------------------|-------------|
| Aesthetic | Universale | Handshower | Extractable |
| Colour | Black | Jet type | Single jet |
| Spout type | J spout | Aerator | Yes |
| Tap type | Single lever | Flexible hoses number | 2 |
| Finishing | Matt | | |

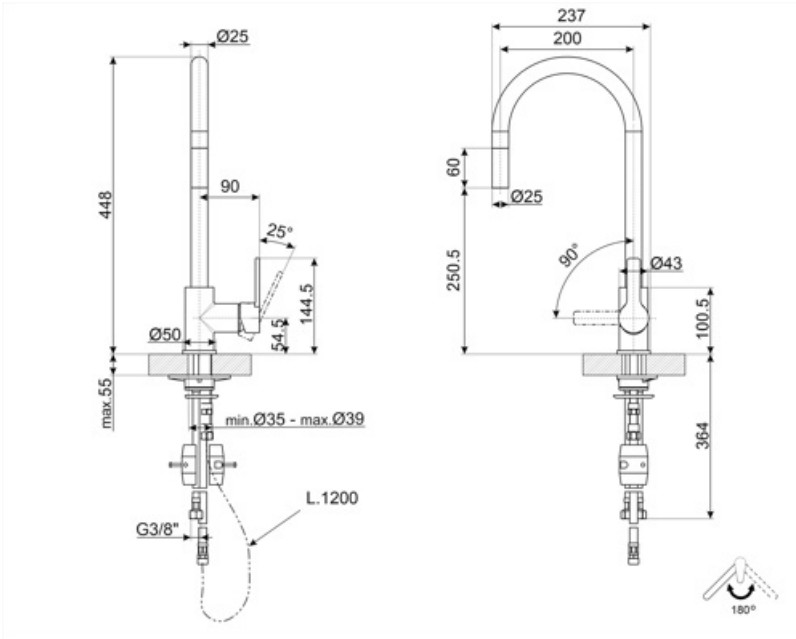
Technical Features



| | | | |
|---------------------------|----------|-----------------------------|-------|
| Characteristics | ESC, WSC | Optimal pressure | 3 bar |
| Flexible hoses lenght | 400 mm | Ceramic disc cartridge type | 35 Ø |
| Flexible hoses connection | 3/8 " | Tap hole diameter | 35 mm |
| Maximum pressure | 5 bar | Non-return valve | Yes |
| Minimum pressure | 1 bar | | |

Logistic Information

| | |
|---------------------|--------|
| Product height (mm) | 448 mm |
|---------------------|--------|



Compatible Accessories



STABMIX
Tap stabiliser





Alternative products



MID2CR

Colour: Chrome

Symbols glossary

- | | | | |
|--|--|---|--|
|  | ESC: with the ESC Energy Saving Cartridge system the control lever positioned in the middle dispenses only cold water, and not 50% of hot and 50% of c |  | WSC: with the WSC Water Saving Cartridge the control lever stops halfway, causing 50% of the water (sufficient for normal cooking activities) to be di |
|  | Swivel spout rotation 180° |  | The extractable handshower allows to increase the range of action of the tap and it is extremely versatile, practical and comfortable. |