

## MIR6CR-2



Product family	Taps
Material	Brass
Swivelling spout	Yes
Swivelling spout rotation	360 °



### Aesthetics

Aesthetic	Coloniale	Finishing	Glossy
Colour	Chrome	Jet type	Single jet
Spout type	L spout	Aerator	Yes
Tap type	Single lever	Flexible hoses number	2

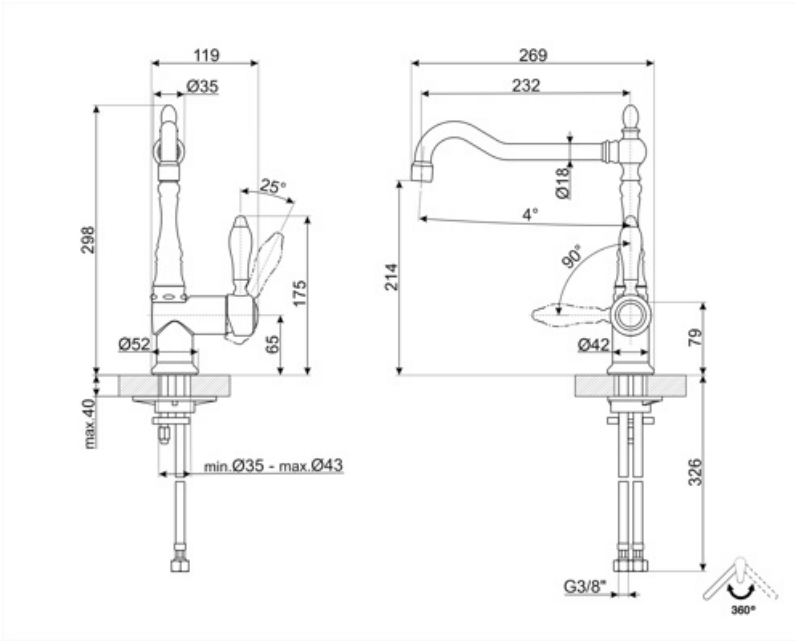
### Technical Features



Characteristics	ESC	Optimal pressure	3 bar
Flexible hoses lenght	370 mm	Water production (l/min)	12 l
Flexible hoses connection	3/8 "	Ceramic disc cartridge type	35 Ø
Maximum pressure	5 bar	Tap hole diameter	35 mm
Minimum pressure	1 bar		

### Logistic Information

Product height (mm)	299 mm
---------------------	--------



## Compatible Accessories

---



**STABMIX**  
Tap stabiliser

---

## Alternative products

---



**MIR6RA-2**  
Colour: Copper



**MIR6O-2**  
Colour: Brass



**MIR6NS-1**  
Colour: Nickel

## Symbols glossary

---



ESC: with the ESC Energy Saving Cartridge system the control lever positioned in the middle dispenses only cold water, and not 50% of hot and 50% of c



Swivel spout rotation 360°