

MIRO-SS

Product Family	Taps
Material	Stainless steel
Swivelling spout	Yes



Aesthetics

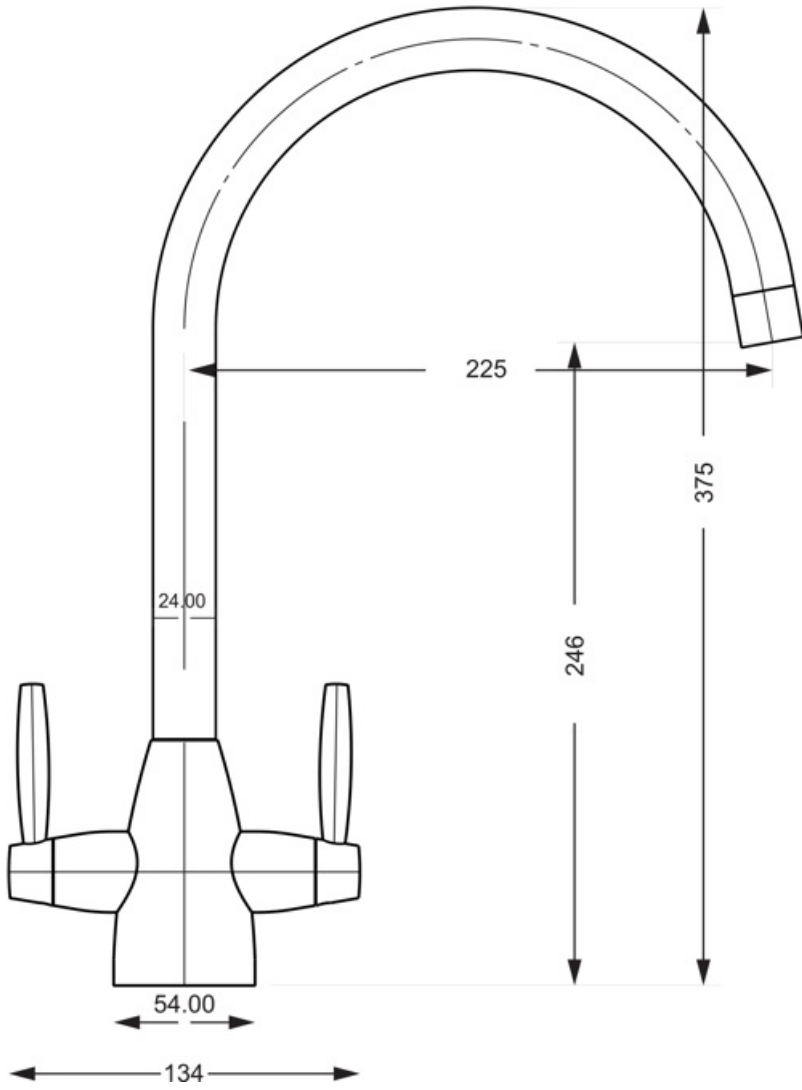
Aesthetics	Universal	Tap type	Double lever
Colour	Stainless steel	Jet type	Single jet
Finishing	Brushed	Aerator	Yes
Spout type	J spout	Flexible hoses number	2

Technical Features

Minimum pressure	0,3 bar	Tap hole diameter	35 mm
------------------	---------	-------------------	-------

Logistic Information

Product Height (mm)	450 mm
---------------------	--------



Benefit

Marin stainless steel

AISI316 steel surface for excellent anti-corrosion and resistance properties

Due to the presence of molybdenum, AISI 316 steel increases resistance to wear and deformation compared to common steel, giving these taps longer service life