

MTE30



| | |
|-----------------|----------------|
| Installation | Free standing |
| Category | One Door |
| Cooling type | Static |
| Defrost | Automatic |
| Technology type | Thermoelectric |
| Hinge type | Standard |
| Hinge position | Right |
| Reversible door | Yes |
| EAN code | 8017709312534 |



Target

| | |
|------------|--------|
| Industries | Hotels |
|------------|--------|

Aesthetics

| | |
|---------------|-------------|
| Colour | Black |
| Material | Plastic |
| Handle | Integrated |
| Logo colour | Chrome |
| Side material | Steel |
| Side colour | Black |
| Logo | Silk screen |

Refrigerator compartment features



| | |
|---------------------------------|-------|
| No. of adjustable shelves | 1 |
| Type of adjustable shelves | Glass |
| Internal light in fridge | Yes |
| Type of internal light (fridge) | LED |

Refrigerator Inner Door

| | |
|-----------------------------------|---|
| Number of adjustable door shelves | 1 |
| No. of bottle shelves | 1 |

Other technical features

| | | | |
|----------------------|-------|---------------------------|------|
| Refrigerant gas type | R600a | Refrigerant Quantity (gr) | 25 g |
|----------------------|-------|---------------------------|------|

Performance / Energy Label

| | |
|-------------------------------------|------------------|
| Airborne acoustical noise emissions | 23 dB(A) re 1 pW |
|-------------------------------------|------------------|

Performance / Energy Label - Reg. 2019



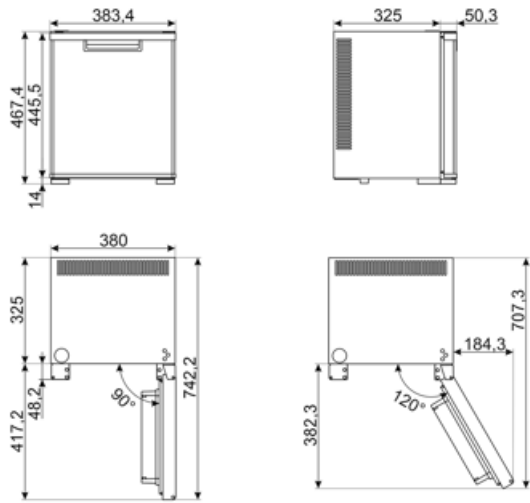
| | |
|--|-----------|
| Annual energy consumption | 131 kWh/a |
| Energy efficiency class | G |
| Airborne acoustical noise emission class | A |
| Total net volume | 20 l |
| Sum of the volumes of the chill compartment(s) and the unfrozen compartment(s) | 20 l |
| Total gross volume | 30 l |
| Climate class | N |
| EEL | 168 % |

Electrical Connection

| | |
|------------------------------|--------------|
| Plug | (F;E) Schuko |
| Electrical connection rating | 65 W |
| Voltage (V) | 230 V |
| Frequency (Hz) | 50/60 Hz |
| Power supply cable length | 150 cm |

Logistic Information

| | |
|--|--------|
| Width | 384 mm |
| Depth without handle | 375 mm |
| Height | 468 mm |
| Product width with maximum doors opening | 567 mm |
| Product depth with doors open at 90° | 742 mm |



Symbols glossary



The automatic defrost system works by automatically defrosting at regular intervals eliminating the need to defrost altogether.



LED interior lighting: is a more energy efficient and long lasting way of illuminating the interior of the appliance.



Energy efficiency class G

Benefit (TT)

The R600a refrigerant, with a low environmental impact, ensures rapid cooling and reduced energy consumption.

The integrated handle optimises space and reduces the risk of bumps thanks to the absence of protrusions. Additionally, the continuous surface makes cleaning easier.

The internal lighting ensures optimal visibility of the shelves, improving organisation within the fridge compartment.

Automatic defrosting prevents ice build-up and reduces the need for manual intervention, improving reliability and service continuity.