

OTR316XU



Product Family	Microwave
Category	Built-in
Installation type	Built-in
Power supply	AC
Cooking Method	Microwave
Control	Electronic



Program / Functions

No. of functions	7
------------------	---

Controls

	Display / Clock	1 a LED	Opening	Side opening
	Type of control setting	Touch control		

Options

	Controls Lock / Child Safety	Yes
------------------------------------------------------------------------------------	------------------------------	-----

Technical Features

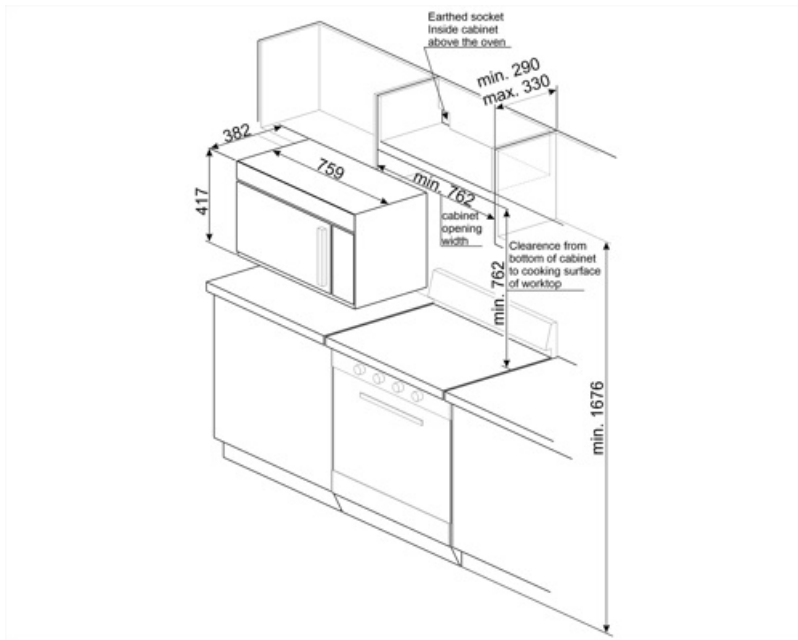
No. of lights	2	Turntable dimensions	13 9/16 "
Light type	Halogen	Microwave effective power	1000 W
Turntable	Yes		

Electrical Connection

Current	15 A	Frequency (Hz)	60 Hz
---------	------	----------------	-------

Voltage (V)

120 V



Symbols glossary



Child lock: some models are fitted with a device to lock the programme/cycle so it cannot be accidentally changed.



Microwave energy shortens cooking times dramatically and produces energy savings.



Touch controls: Easy to use touch controls allow the appliance to be programmed at the touch of a button.