

OTR316XU



Product family	Microwave oven
Category	Built-in
Installation type	Built-in
Power source	AC
Cooking Method	Microwave
Oven controls	Electronic




Program / Functions

Number of functions 7

Controls

	1 LED	Opening	Side opening
Display Controls	Touch controls		

Options

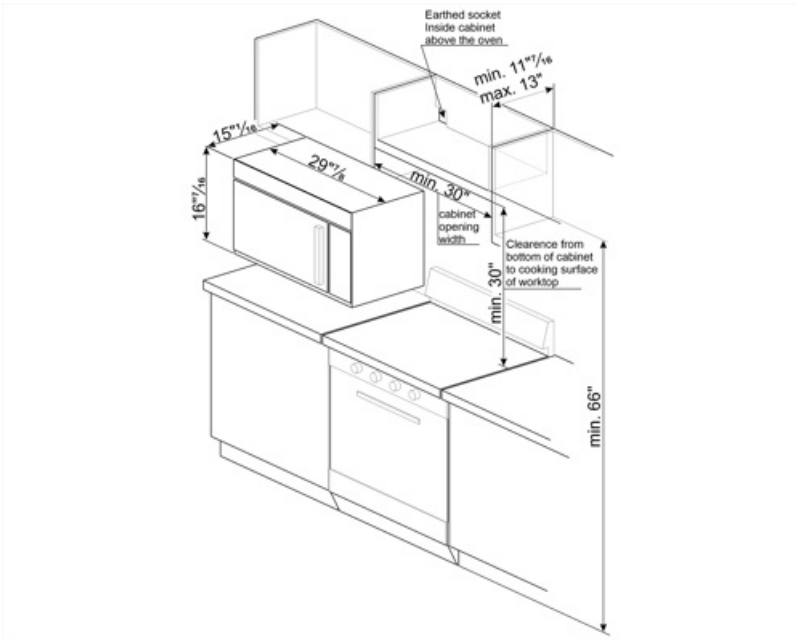
	Yes
Child safety lock	

Technical Features

No. of lights	2	Turntable dimensions	13 9/16 "
Lighting	Halogen	Microwave effective power	1000 W
Turntable	Yes		

Electrical Connection

Current	15 A	Frequency	60 Hz
Voltage	120 V		



Symbols glossary



Child lock: some models are fitted with a device to lock the programme/cycle so it cannot be accidentally changed.



Microwave energy shortens cooking times dramatically and produces energy savings.



Touch controls: Easy to use touch controls allow the appliance to be programmed at the touch of a button.