

P106ES



Product Family	Hob
Built-in type	Traditional
Dimensions	100 cm
Power supply	Gas
Type	Gas
EAN code	8017709179175



Aesthetics



Aesthetic	Piano Design
Colour	Stainless steel
Finishing	Glossy
Material	Stainless Steel
Type of steel	Polished
Pan stands	Stainless steel
Pan Stand Coating	EverShine
Burner Coating	EverShine
Type of control setting	Control knobs
Control knob position	Front
No. of controls	6
Controls colour	Steel effect

Programme / Functions

Total no. of cook zones	6
No. of gas cook zones	6

Options

Worktop Cut-Out	480-484x839-844 mm
-----------------	--------------------

Technical Features

UR **UR**

Left - Gas - UR - 3.60 kW
 Rear-left - Gas - Semi Rapid - 1.70 kW
 Front-left - Gas - AUX - 0.90 kW
 Front-right - Gas - Rapid - 2.40 kW
 Rear-right - Gas - AUX - 0.90 kW
 Right - Gas - UR - 3.60 kW
 Gas safety valves Yes

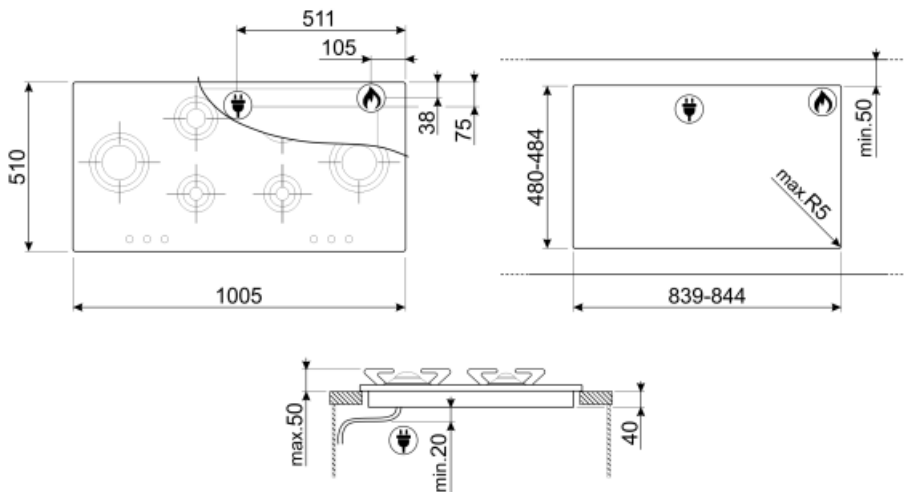
Automatic Ignition Yes

Electrical Connection

Plug	Not present	Type of electric cable installed	Yes, Single phase
Electrical connection rating (W)	1 W	Frequency (Hz)	50/60 Hz
Voltage (V)	220-240 V	Power supply cable length	120 cm

Gas Connection

Gas Type	G20 Natural gas	Other gas connections provided	Conical
Gas connection	Cilindrical	Gas connection rating (W)	13300 W
Other gas nozzles included	G30 GPL Liquid gas		



Not included accessories



GP106ES





St. Steel pan stands and burner caps



TPK

Stainless steel grill plate to cook
Teppanyaki dishes

Symbols glossary (TT)

	Standard installation: Traditional installation in tabletop, suitable for any kitchen sets		Knobs control
	Ever Shine: is an invisible coating that makes the effected area highly resistant to heat.		Ultra rapid burners: Powerful ultra rapid burners offer up to 5kw of power.