

P260XGH



| | |
|----------------|---------------|
| Product Family | Hob |
| Built-in type | Traditional |
| Dimensions | 60 cm |
| Power supply | Gas |
| Type | Gas |
| EAN code | 8017709179663 |



Aesthetics



| | |
|-------------------------------|-------------------|
| Aesthetic | Selezione |
| Colour | Stainless steel |
| Acabamento | Satin |
| Material | Stainless Steel |
| Type of steel | Brushed |
| Frame | No |
| Pan stands | Cast iron |
| Pan Stand Coating | No |
| Burners | Smeg Contemporary |
| Burners Material | Alluminium |
| Burner Coating | No |
| Type of control setting | Control knobs |
| Control knob position | Front |
| No. of controls | 4 |
| Controls colour | Silver |
| Illuminated control knobs | No |
| Control knob protection | No |
| Serigraphy colour | Black |
| Alternative colours available | No |

Program / Functions

| | |
|-------------------------|---|
| No. of gas cook zones | 4 |
| Total no. of cook zones | 4 |

Options



| | | | |
|------------------|----|--------------|--------------------|
| Multizone Option | No | Corte padrão | 478-482x555-560 mm |
|------------------|----|--------------|--------------------|

Technical Features

Left - Gas - Rapid - 3.10 kW

Rear-centre - Gas - Semi Rapid - 1.70 kW

Front-centre - Gas - AUX - 1.10 kW

Right - Gas - Rapid - 2.60 kW

| | | | |
|-------------------|-----|--------------------|-----|
| Gas safety valves | Yes | Automatic Ignition | Yes |
|-------------------|-----|--------------------|-----|

Accessories Included

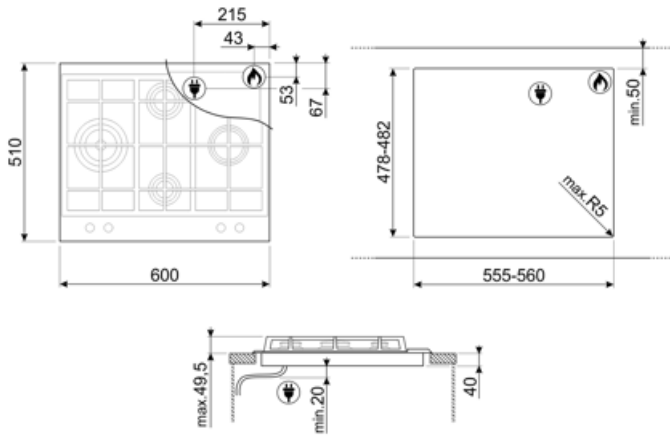
| | |
|-------------------|----|
| Other accessories | No |
|-------------------|----|

Electrical Connection

| | | | |
|----------------------------------|--------------|------------------------------------|----------|
| Plug | No | Frequency (Hz) | 50/60 Hz |
| Electrical connection rating (W) | 1 W | Comprimento do cabo de alimentação | 120 cm |
| Voltage (V) | 220-240 V | Ficha elétrica | No |
| Type of electric cable | Single phase | | |

Gas Connection

| | | | |
|----------------------------|---------------------------|--------------------------------|---------|
| Gas Type | G20 Natural gas | Other gas connections provided | Conical |
| Ligação ao gás | Ligação ao gás cilíndrica | Gas connection rating (W) | 8400 W |
| Other gas nozzles included | G30 GPL Liquid gas | | |



Compatible Accessories



BB3679

Grelha de ferro fundido



GRW

Suporte para wok



TPK




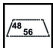
Placa grelhadora de aço inoxidável para cozinhar pratos Teppanyaki



WOKGHU

Suporte de ferro fundido para WOK

Symbols glossary

| | | | |
|--|--|---|--|
|  | Instalação padrão: Instalação tradicional em tampo de mesa, adequado para qualquer conjunto de cozinha |  | Suportes de ferro fundido para serviço pesado: para máxima estabilidade e resistência. |
|  | Controle dos botões |  | CUT_OUT_STANDARD_72dpi |