

P64ES



Product Family	Hob
Built-in	Traditional
Dimensions	60 cm
Power supply	Gas
Type	Gas
EAN code	8017709179151



Aesthetics



Aesthetics	Renzo Piano
Colour	Stainless steel
Finishing	Gloss
Material	Stainless Steel
Type of steel	Polished
Pan stands	Stainless steel
Pan Stand Coating	EverShine
Burners	Piano Design
Burner Material	Stainless steel
Burner Coating	EverShine
Type of control setting	Control knobs
Control knobs position	Front
No. of controls	4
Controls colour	Steel effect

Programs / Functions

Total no. of cook zones	4
No. of gas cook zones	4

Options



Standard cut out	478-482x555-560 mm
-------------------------	--------------------

Technical Features

Front left - Gas - Semi Rapid - 1.70 kW

Rear left - Gas - Rapid - 2.40 kW

Rear right - Gas - Rapid - 3.00 kW

Front right - Gas - AUX - 0.90 kW

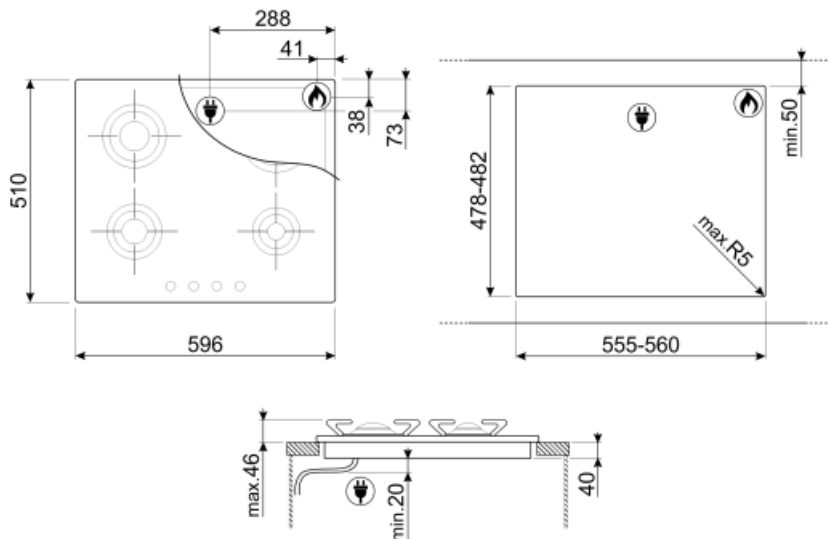
Gas safety valves	Yes	Automatic Ignition	Yes
--------------------------	-----	---------------------------	-----

Electrical Connection

Nominal power (W)	1 W	Frequency (Hz)	50/60 Hz
Voltage (V)	220-240 V	Power supply cable length	120 cm
Type of electric cable	Single phase		

Gas Connection

Gas Type	G20 Natural gas	Other gas connections provided	Conical
Gas connection	Cilindrical	Gas connection rating (W)	8000 W
Other gas nozzles included	G30 GPL Liquid gas		



Not included accessories



GP64ES

St. Steel pan stands and burner caps



TPK

Stainless steel grill plate to cook
Teppanyaki dishes

Symbols glossary



Standard installation: Traditional installation in tabletop, suitable for any kitchen sets



CUT_OUT_STANDARD_72dpi



Ever Shine: is an invisible coating that makes the effected area highly resistant to heat.



Knobs control