

P64ES



Product Family	Hob
Built-in type	Traditional
Dimensions	60 cm
Power supply	Gas
Type	Gas
EAN code	8017709179151



Aesthetics



Aesthetic	Piano Design
Colour	Stainless steel
Finishing	Glossy
Material	Stainless Steel
Type of steel	Polished
Pan stands	Stainless steel
Pan Stand Coating	EverShine
Burners	Piano Design
Burners Material	Stainless steel
Burner Coating	EverShine
Type of control setting	Control knobs
Control knob position	Front
No. of controls	4
Controls colour	Steel effect

Programme / Functions

Total no. of cook zones	4
No. of gas cook zones	4

Options



Worktop Cut-Out	478-482x555-560 mm
------------------------	--------------------

Technical Features

Front-left - Gas - Semi Rapid - 1.70 kW

Rear-left - Gas - Rapid - 2.40 kW

Rear-right - Gas - Rapid - 3.00 kW

Front-right - Gas - AUX - 0.90 kW

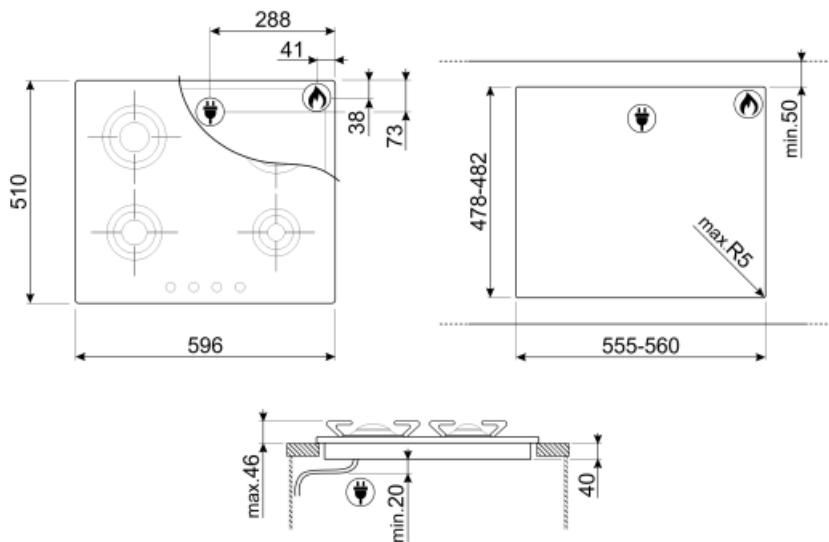
Gas safety valves Yes Automatic Ignition Yes

Electrical Connection

Plug	Not present	Type of electric cable installed	Yes, Single phase
Electrical connection rating (W)	1 W	Frequency (Hz)	50/60 Hz
Voltage (V)	220-240 V	Power supply cable length	120 cm

Gas Connection

Gas Type	G20 Natural gas	Other gas connections provided	Conical
Gas connection	Cilindrica	Gas connection rating (W)	8000 W
Other gas nozzles included	G30 GPL Liquid gas		



Not included accessories



GP64ES



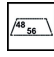

St. Steel pan stands and burner caps



TPK

Stainless steel grill plate to cook
Teppanyaki dishes

Symbols glossary (TT)

	Standard installation: Traditional installation in tabletop, suitable for any kitchen sets		Knobs control
	CUT_OUT_STANDARD_72dpi		Ever Shine: is an invisible coating that makes the effected area highly resistant to heat.