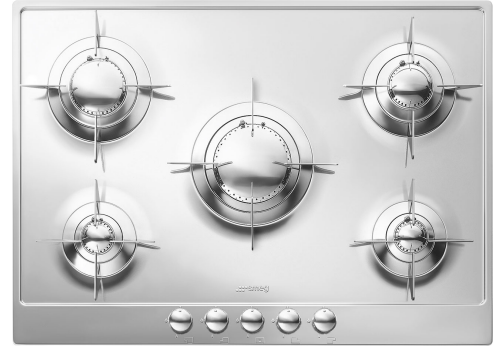


P705ES



Product Family	Hob
Built-in	Traditional
Dimensions	70/75 cm
Power supply	Gas
Type	Gas
EAN code	8017709179168



Aesthetics



Aesthetics	Renzo Piano
Colour	Stainless steel
Finishing	Gloss
Material	Stainless Steel
Type of steel	Polished
Pan stands	Stainless steel
Pan Stand Coating	EverShine
Burners	Piano Design
Burner Material	Stainless steel
Burner Coating	EverShine
Type of control setting	Control knobs
Control knobs position	Front
No. of controls	5
Controls colour	Steel effect

Programs / Functions

No. of gas cook zones	5
Total no. of cook zones	5

Options



Standard cut out	478-482x555-560 mm
-------------------------	--------------------

Technical Features

Front left - Gas - AUX - 0.90 kW
 Rear left - Gas - Rapid - 2.40 kW
 Central - Gas - Rapid - 3.50 kW
 Rear right - Gas - Semi Rapid - 1.70 kW
 Front right - Gas - AUX - 0.90 kW
 Gas safety valves Yes

Automatic Ignition Yes

Electrical Connection

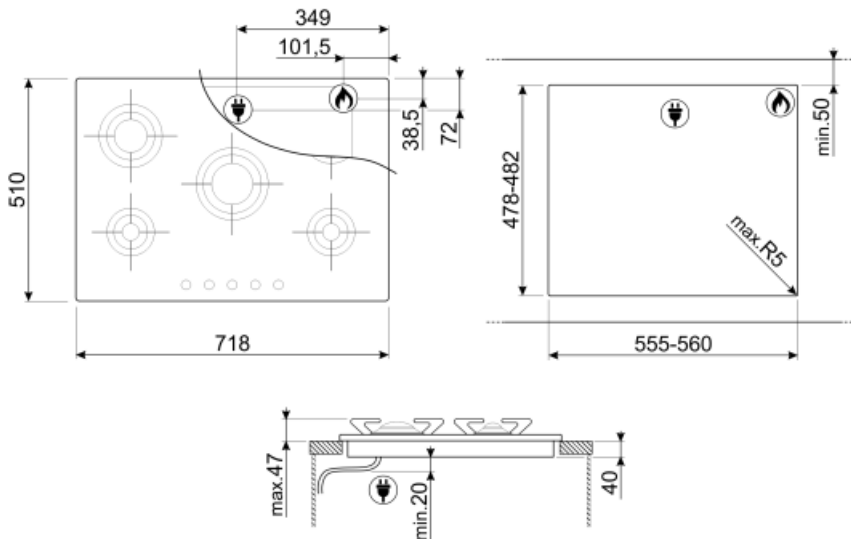
Nominal power (W) 1 W
 Voltage (V) 220-240 V
 Type of electric cable Single phase

Frequency (Hz) 50/60 Hz
 Power supply cable length 120 cm

Gas Connection

Gas Type G20 Natural gas
 Gas connection Cilindrical
 Other gas nozzles included G30 GPL Liquid gas

Other gas connections provided Conical
 Gas connection rating (W) 9500 W



Not included accessories



TPK

Stainless steel grill plate to cook
Teppanyaki dishes



GP705ES

St. Steel pan stands and burner caps

Symbols glossary



Standard installation: Traditional installation in tabletop, suitable for any kitchen sets



CUT_OUT_STANDARD_72dpi



Ever Shine: is an invisible coating that makes the effected area highly resistant to heat.



Knobs control