

# P705ES



<b>Product Family</b>	Hob
<b>Built-in type</b>	Traditional
<b>Dimensions</b>	70/75 cm
<b>Power supply</b>	Gas
<b>Type</b>	Gas
<b>EAN code</b>	8017709179168



## Aesthetics



<b>Aesthetic</b>	Piano Design
<b>Colour</b>	Stainless steel
<b>Finishing</b>	Glossy
<b>Material</b>	Stainless Steel
<b>Type of steel</b>	Polished
<b>Pan stands</b>	Stainless steel
<b>Pan Stand Coating</b>	EverShine
<b>Burners</b>	Piano Design
<b>Burners Material</b>	Stainless steel
<b>Burner Coating</b>	EverShine
<b>Type of control setting</b>	Control knobs
<b>Control knob position</b>	Front
<b>No. of controls</b>	5
<b>Controls colour</b>	Steel effect
<b>Logo</b>	Embossed

## Program / Functions

<b>No. of gas cook zones</b>	5
<b>Total no. of cook zones</b>	5

## Options



Worktop Cut-Out

478-482x555-560 mm

## Technical Features

Front-left - Gas - AUX - 0.90 kW  
 Rear-left - Gas - Rapid - 2.40 kW  
 Central - Gas - Rapid - 3.50 kW  
 Rear-right - Gas - Semi Rapid - 1.70 kW  
 Front-right - Gas - AUX - 0.90 kW

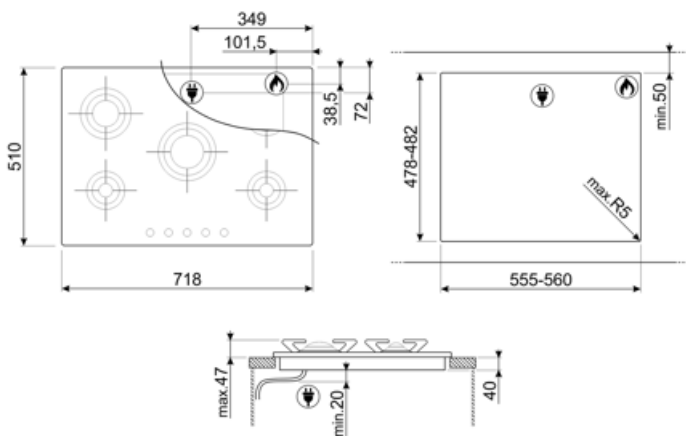
Gas safety valves Yes Automatic Ignition Yes

## Electrical Connection

Electrical connection rating (W)	1 W	Frequency (Hz)	50/60 Hz
Voltage (V)	220-240 V	Power supply cable length	120 cm
Type of electric cable installed	Yes, Single phase	Plug	Not present

## Gas Connection

Gas Type	G20 Natural gas	Other gas connections provided	Conical
Gas connection	Cilindrical	Gas connection rating (W)	9500 W
Other gas nozzles included	G30 GPL Liquid gas		



## Compatible Accessories

---

**GP705ES**

St. Steel pan stands and burner caps



---

## Symbols glossary

---

	Standard installation: Traditional installation in tabletop, suitable for any kitchen sets.		Knobs control
	CUT_OUT_STANDARD_72dpi		Ever Shine: is an invisible coating that makes the effected area highly resistant to heat.